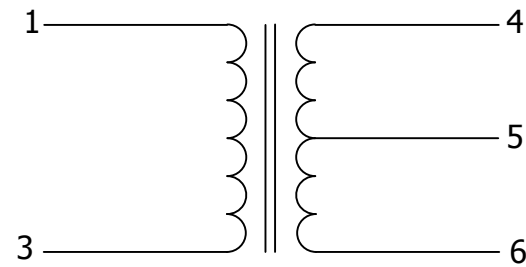
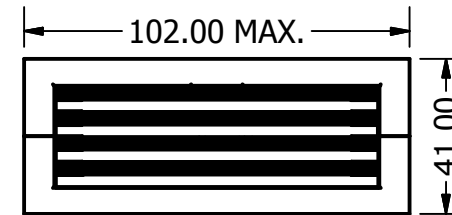
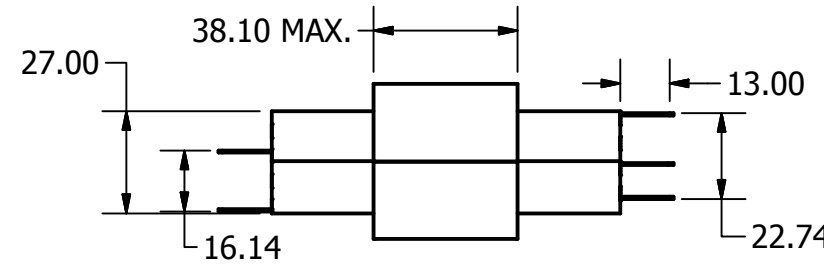
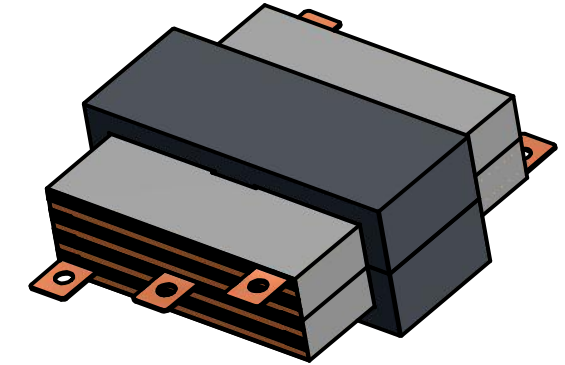
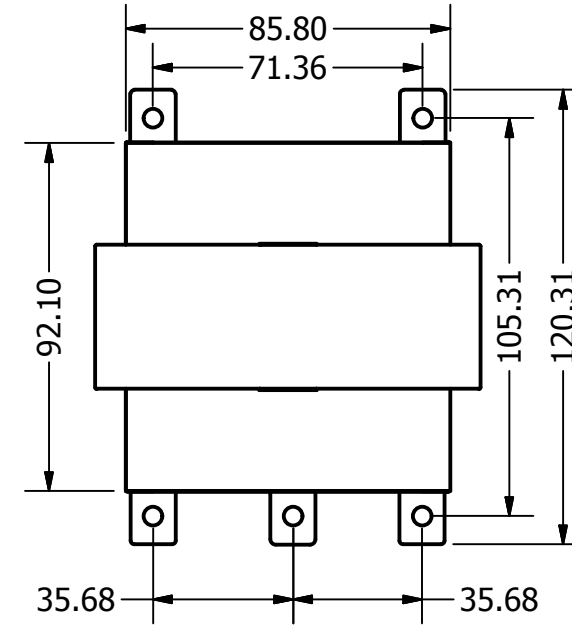
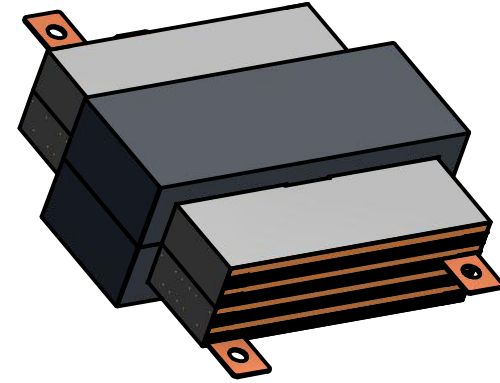


Item	Parameter	Details
1	Topologies	Flyback, Forward, Push-pull, Half-Bridge, Full Bridge, Resonant
2	Power	15kW Max
3	Frequency	1.5MHz Max
4	Winding Voltage	1000V Max
5	Turns Ratio	Custom
6	Winding Current	800A Max
7	Isolation	6kVrms
8	Ambient Temp	-40C to +85C
9	Core Details	E102



"Custom terminations and windings supported"

All dimensions are in mm.

DRAWN		TITLE Planar Transformer Series		
CHECKED				
QA				
MFG				
APPROVED				
		SIZE	DWG NO	REV
		B	E102 Platform	
		SCALE	SHEET 1 OF 1	