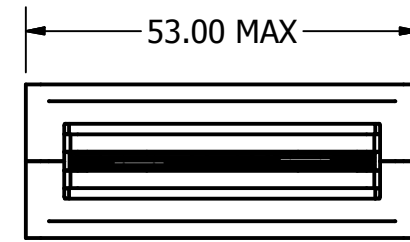
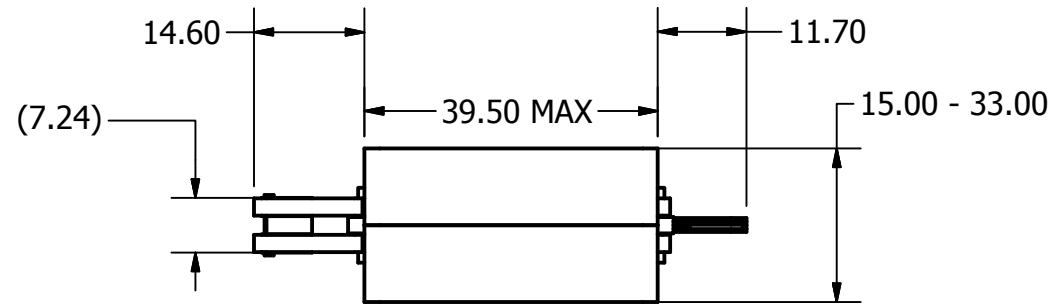
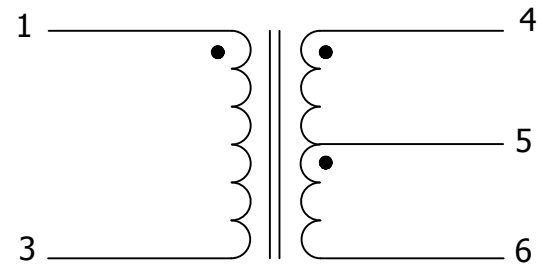
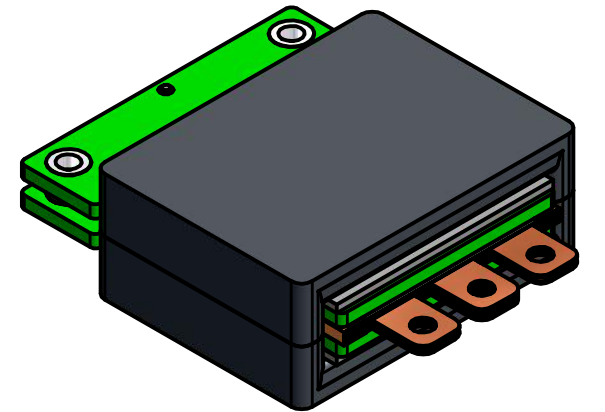
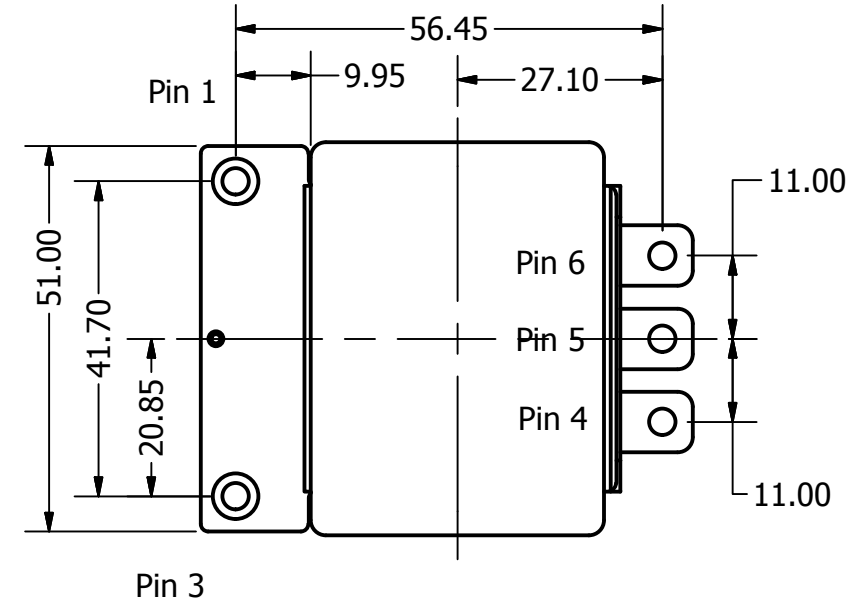
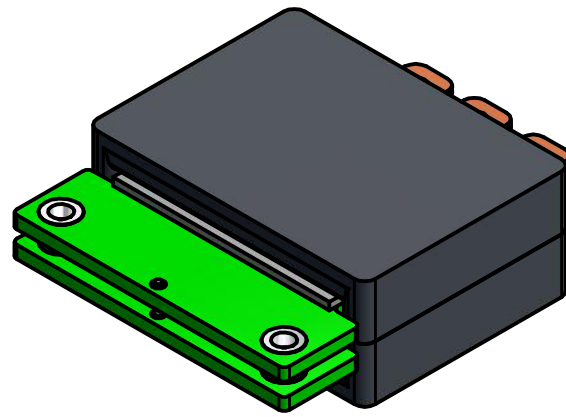


Item	Parameter	Details
1	Topologies	Flyback, Forward, Push-pull, Half-Bridge, Full Bridge, Resonant
2	Power	up to 6kW
3	Frequency	20kHz to 3MHz
4	Winding Voltage	900V max
5	Turns Ratio	Custom
6	Winding Current	up to 350A
7	Isolation	4kV
8	Ambient Temp	-40C to +85C
9	Core Details	ER51



"Custom terminations and windings supported"

All dimensions are in mm.

DRAWN		Cramer Magnetics		
CHECKED				
QA		TITLE		
MFG		Planar Transformer Series		
APPROVED		SIZE	DWG NO	REV
		B	CPL 5138 Platform	
		SCALE	SHEET 1 OF 1	