

CSM 19VT

Power Rating: 18VA⁽¹⁾⁽²⁾

PLATFORM  **PARAMETERS**

Core Size:	EE 19 (E187)
Core Area:	0.225cm ²
Path Length:	3.98cm
Core Volume:	0.896cm ³
Winding Area:	0.314cm ²

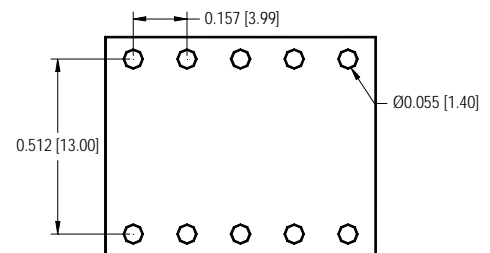
Samples Available on Request

techsales@cramercoil.com

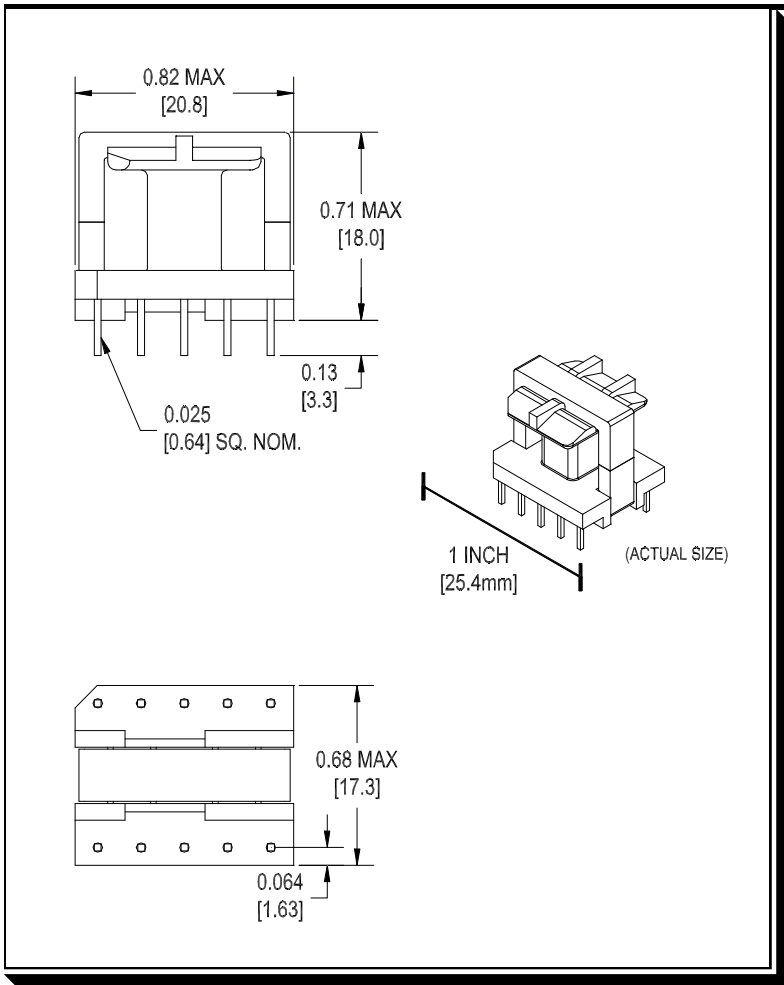
(262) 268-2150 (Inside Sales)

(262) 268-4100 (FAX)

SUGGESTED PCB LAYOUT⁽³⁾



Note:
Unless otherwise specified, tolerances are
x.xxx = 0.003 [0.08]



Notes:
Dimensions: inches [millimeters] (entire page)

Platform Features

- * Utilizes Economical, Efficient Construction Materials
- * Industry Standard Footprint
- * Power Rating up to 18VA⁽¹⁾⁽²⁾
- * For High Isolation Applications, Standard Platform Provides up to 2 Isolated Secondaries or 5 Common Secondaries
- * Up to 2,600 VRMS Isolation (standard configuration) between Windings
- * Lead Time 2 to 6 Weeks

(1) 18VA at 100kHz Uni-polar, 36VA at 100kHz Bi-polar.
(2) Energy Storage Limit: 260 Micro-joules (0.5 LI²).
(3) Final responsibility for the correct PCB layout resides with the user.