

# CSM 25VT

Power Rating: 35VA<sup>(1)(2)</sup>

**PLATFORM**  **PARAMETERS**

Core Size:	EE 25 (E2425)
Core Area:	0.394cm <sup>2</sup>
Path Length:	4.9cm
Core Volume:	1.93cm <sup>3</sup>
Winding Area:	0.396cm <sup>2</sup>

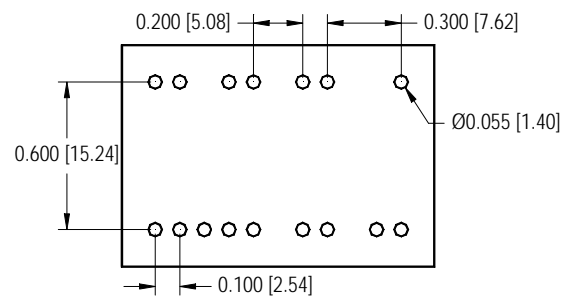
**Samples Available on Request**

techsales@cramercoil.com

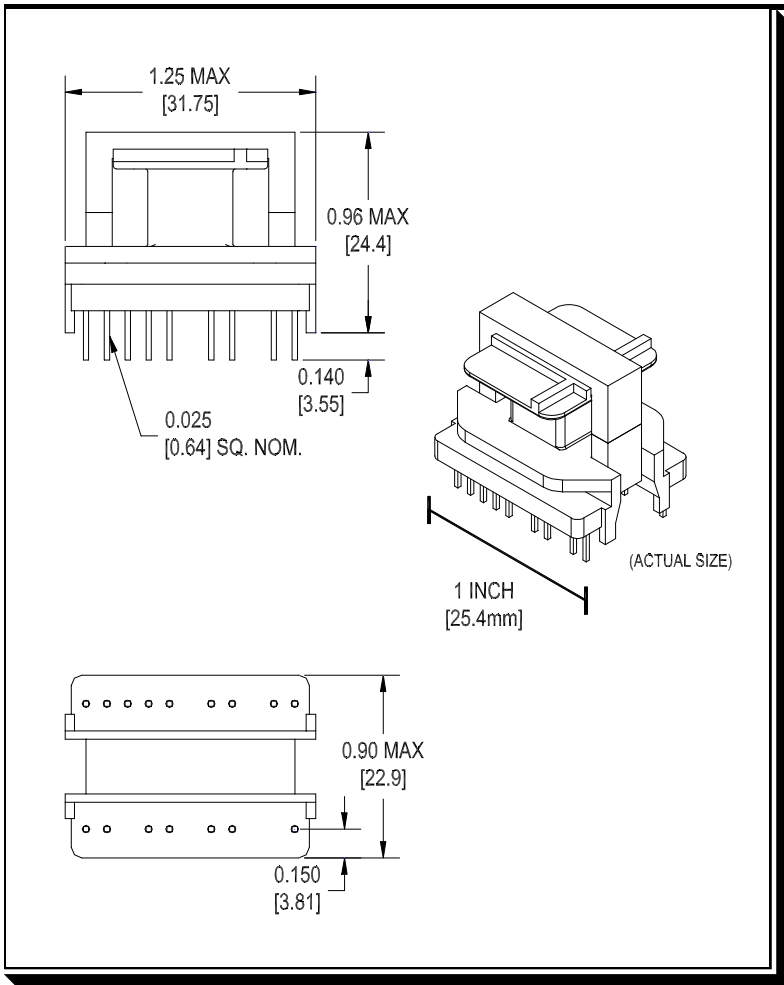
(262) 268-2150 (Inside Sales)

(262) 268-4100 (FAX)

**SUGGESTED PCB LAYOUT<sup>(3)</sup>**



Note:  
Unless otherwise specified, tolerances are  
x.xxx = 0.003 [0.08]



Notes:  
Dimensions: inches [millimeters] (entire page)

## Platform Features

- \* Utilizes Economical, Efficient Construction Materials
- \* UL, CSA, VDE and IEC Compatible
- \* Power Rating up to 35VA<sup>(1)(2)</sup>
- \* For High Isolation Applications, Standard Platform Provides up to 4 Isolated Secondaries or 8 Common Secondaries.
- \* Up to 2,500 VRMS Isolation (standard configuration) between Windings
- \* Lead Time 2 to 6 Weeks

(1) 35VA at 100kHz Uni-polar, 70VA at 100kHz Bi-polar.  
(2) Energy Storage Limit: 900 Micro-joules (0.5 LI<sup>2</sup>).  
(3) Final responsibility for the correct PCB layout resides with the user.