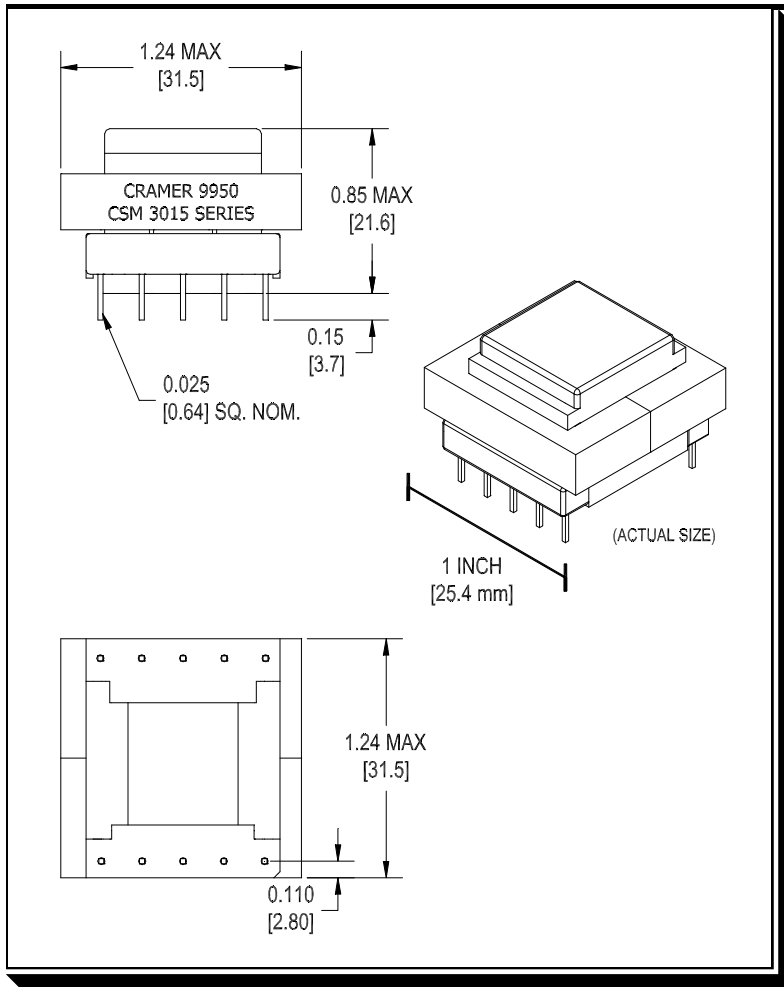


CSM 3015

Power Rating: 50VA⁽¹⁾⁽²⁾



Notes:
Dimensions: inches [millimeters] (entire page)

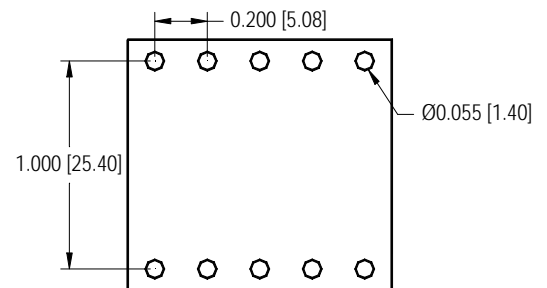
PLATFORM  **PARAMETERS**

Core Size: EF 30
Core Area: 0.6cm²
Path Length: 6.56cm
Core Volume: 3.94cm³
Winding Area: 0.790cm²

Samples Available on Request

techsales@cramercoil.com
(262) 268-2150 (Inside Sales)
(262) 268-4100 (FAX)

SUGGESTED PCB LAYOUT⁽³⁾



Note:
Unless otherwise specified, tolerances are
x.xxx = 0.003 [0.08]

Platform Features

- * Utilizes Economical, Efficient Construction Materials
- * Industry Standard Footprint
- * UL, CSA, VDE and IEC Compatible
- * UL Approved Class B Insulation System Available (System Designation C5; File #110339)
- * Power Rating up to 50VA⁽¹⁾⁽²⁾
- * For High Isolation Applications, Standard Platform Provides up to 2 Isolated Secondaries or 4 Common Secondaries
- * Up to 4,000 VRMS Isolation (standard configuration) between Windings
- * Lead Time 2 to 6 Weeks

(1) 50VA at 100kHz Uni-polar, 100VA at 100kHz Bi-polar.
(2) Energy Storage Limit: 2,800 Micro-joules (0.5 LI²).
(3) Final responsibility for the correct PCB layout resides with the user.