

# CSM 3515

Power Rating: 100VA<sup>(1)(2)</sup>

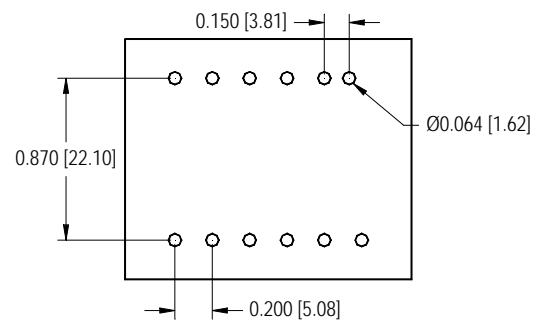
**PLATFORM**  **PARAMETERS**

Core Size:	EE 35 (E375)
Core Area:	0.91cm <sup>2</sup>
Path Length:	6.9cm
Core Volume:	6.28cm <sup>3</sup>
Winding Area:	1.19cm <sup>2</sup>

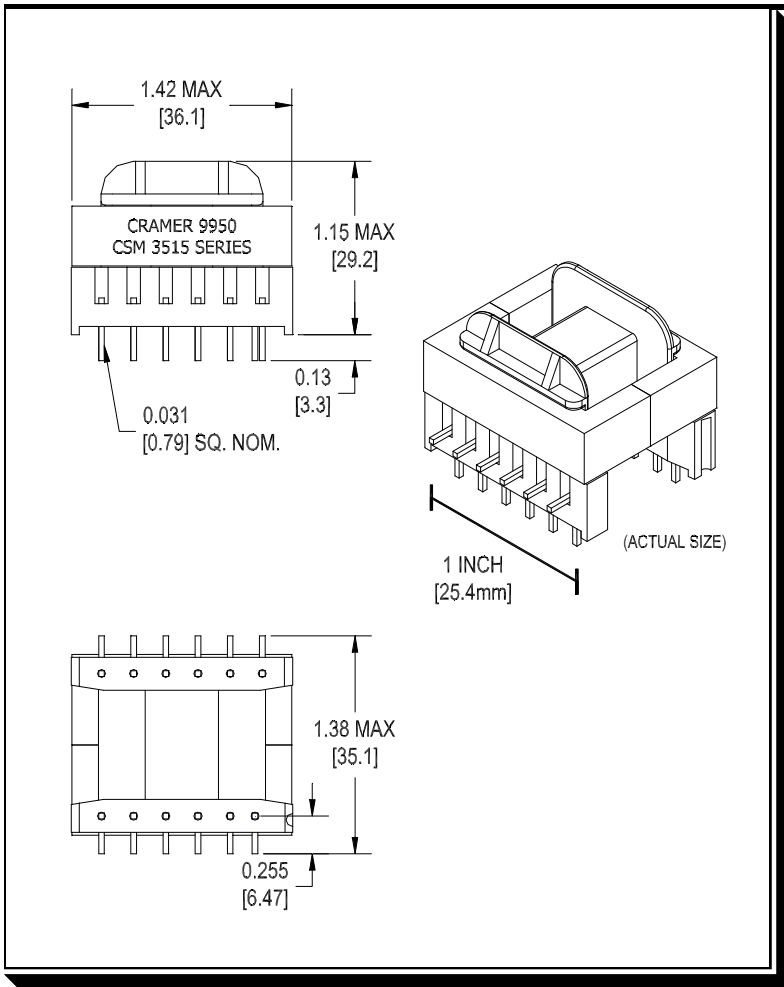
**Samples Available on Request**

techsales@cramercoil.com  
(262) 268-2150 (Inside Sales)  
(262) 268-4100 (FAX)

**SUGGESTED PCB LAYOUT<sup>(3)</sup>**



Note:  
Unless otherwise specified, tolerances are  
x.xxx = 0.003 [0.08]



Notes:  
Dimensions: inches [millimeters] (entire page)

## Platform Features

- \* Utilizes Economical, Efficient Construction Materials
- \* Industry Standard Footprint
- \* UL, CSA, VDE and IEC Compatible
- \* UL Approved Class B Insulation System Available (System Designation C5; File #E110339)
- \* Power Rating up to 100VA<sup>(1)(2)</sup>
- \* For High Isolation Applications, Standard Platform Provides up to 3 Isolated Secondaries or 5 Common Secondaries
- \* Up to 4,000 VRMS Isolation (standard configuration) between Windings
- \* Lead Time 2 to 6 Weeks

(1) 100VA at 100kHz Uni-polar, 200VA at 100kHz Bi-polar.  
(2) Energy Storage Limit: 7,400 Micro-joules (0.5 LI<sup>2</sup>).  
(3) Final responsibility for the correct PCB layout resides with the user.