

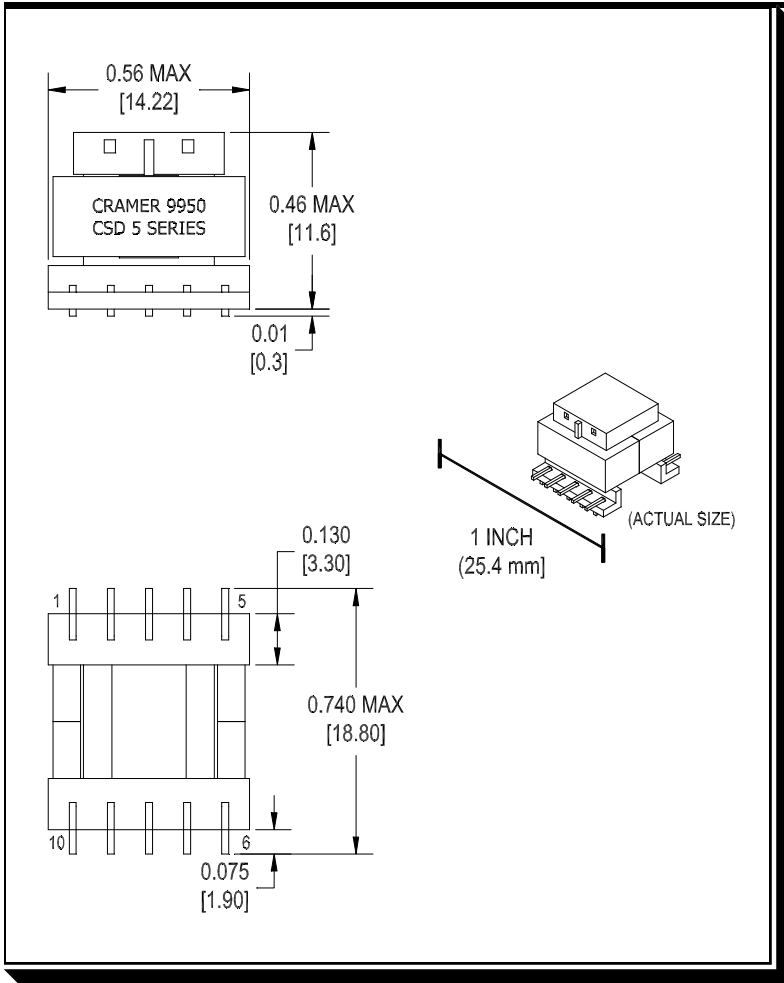
# CSD 5

**PLATFORM**  **FEATURES**

- \* Efficient, Economical
- \* Frequencies up to 500kHz
- \* Industry Standard Footprint
- \* 2,600 VRMS Isolation
- \* VDE, IEC, UL, CSA Compatible
- \* UL Class 130(B) Insulation<sup>(1)</sup>
- \* Custom Versions Available

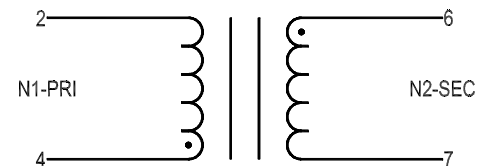
**Samples Available on Request**

techsales@cramercoil.com  
(262) 268-2150 (Inside Sales)  
(262) 268-4100 (FAX)



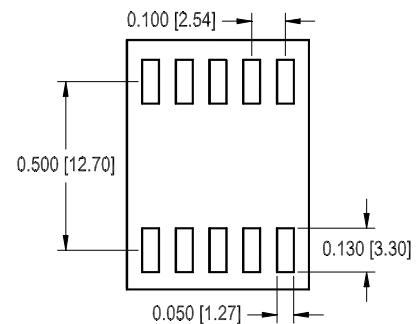
Notes:  
Dimensions: inches [millimeters] (entire page)

**WINDING SCHEMATIC**



<b>CSD 5 - Series</b>				
<b>Part Number:</b>	<b>5-050</b>	<b>5-100</b>	<b>5-150</b>	<b>5-200</b>
Turns Ratio	2:1	1:1	1:1.5	1:2
L (mH)	1.00	1.00	1.00	1.00
LL (μH)	6.50	6.50	6.50	6.50
CC (pF)	40	40	40	40
CC (pF)	—	—	—	—
Rp (ohms)	0.37	0.37	0.37	0.37
Rs (ohms)	0.12	0.45	0.70	1.18
Rs (ohms)	—	—	—	—
Ipri (A max.)	1.00	1.00	1.00	1.00
Isec	1.60	1.00	1.00	0.87
Isec	—	—	—	—
ET Const. (Vμs)	190	190	190	190
KP <sup>(3)(4)</sup>	590	590	590	590
Hipot	2,600	2,600	2,600	2,600

**SUGGESTED PCB LAYOUT<sup>(2)</sup>**



Note:  
Unless otherwise specified, tolerances are  
x.xxx = 0.003 [0.08]

(1) System designation C5; File #E110339.  
(2) Final responsibility for the correct PCB layout resides with the user.  
(3) To avoid saturating the transformer the peak AC flux (Bpk) must be below 0.32T.  
(4) Calculate Bpk using  $Bpk = Et / Kp \cdot Kd$ . Where  $Et = Vpk \cdot (D/F) \cdot 10^3$ . Et = Volt Microseconds, Vpk = Peak Voltage, D = Duty Cycle (decimal), F = Frequency (kHz), Kd = 1 for Unipolar and 2 for Bipolar, Kp = from table.