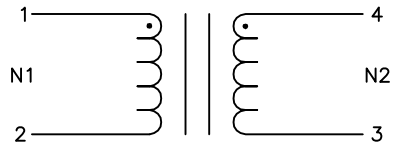
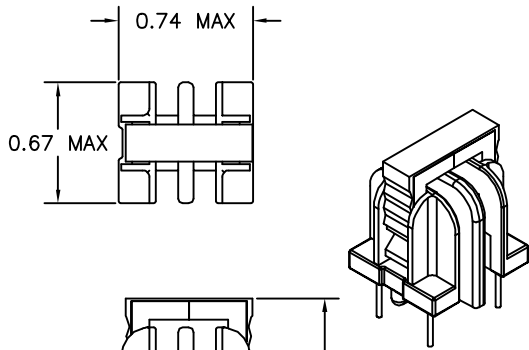


1 2 3 4 5 6

A

A

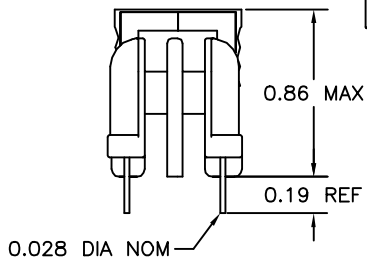


B

B

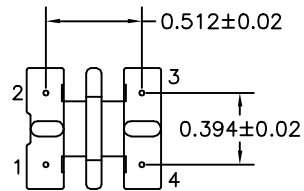
C

C



D

D



E

E

ELECTRICAL SPECIFICATIONS

- L @ 1kHz .1V - (1-2) 10mH MIN
- LL @ 100kHz .1V - (1-2) 261μH TYP
(WITH 3&4 SHORTED)
- CC @ 100kHz .1V - (1-4) 3.5pF TYP
- URNS RATIO - ±3%
N1:N2 - 1:1
- DCR - OHMS TYP
N1 - 1.40
N2 - 1.40
- HIPOT - 2500VAC 1MIN OR 3000VAC 1SEC
N1 TO N2

F

F

G

G

CRAMER RESERVES THE RIGHT TO CHANGE TOLERANCE ON PARASITIC PARAMETERS

H

H

REVISION		DATE	MARKINGS 544-EIA DATE CODE CC 103-100	LOCATION TOP OF CLIP	
A	RELEASED	06/11/99	DESCRIPTION 0.3 AMP 10 MILLIHENRY COMMON MODE CHOKE	TOLERANCE UNLESS OTHERWISE SPECIFIED 2 PLACE DECIMALS ±0.010 3 PLACE DECIMALS ±0.005 FRACTIONS ±1/64 ANGLES ±1/2°	PROPRIETARY INFORMATION PROPERTY OF CRAMER COIL & TRANSFORMER CO. DUPLICATION AND/OR DISTRIBUTION BY PERMISSION ONLY
			CUSTOMER		
			PAGE 1 OF 1		
			G:\DATA\SPECS\ENG\CC\103-100	CUSTOMER PART NUMBER	REV
			DR. NJW	DATE 06/11/99	
			APPD. MJA	DATE 06/18/99	
				CRAMER PART NUMBER CC 103-100	REV A

J

J

1 2 3 4 5 6