

1

2

3

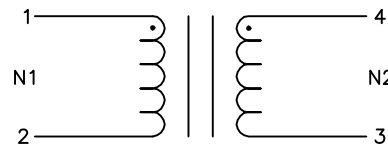
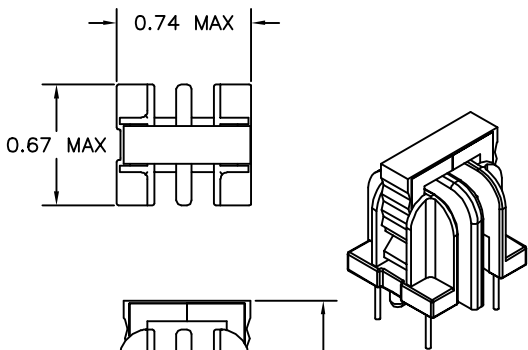
4

5

6

A

A

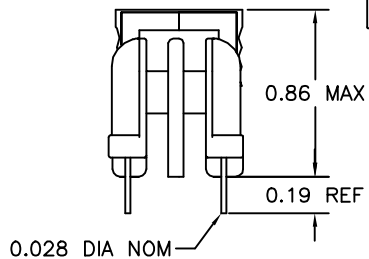


B

B

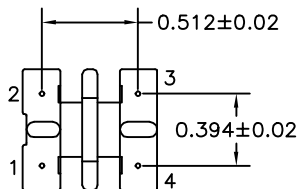
C

C



D

D



E

E

ELECTRICAL SPECIFICATIONS

L @ 1kHz .1V - (1-2) 3mH MIN

LL @ 100kHz .1V - (1-2) 77µH TYP  
(WITH 3&4 SHORTED)

CC @ 100kHz .1V - (1-4) 4.0pF TYP

URNS RATIO - ±3%  
N1:N2 - 1:1

DCR - OHMS TYP  
N1 - 0.400  
N2 - 0.400

HIPOT - 2500VAC 1MIN OR 3000VAC 1SEC  
N1 TO N2

F

F

G

G

CRAMER RESERVES THE RIGHT TO CHANGE TOLERANCE ON PARASITIC PARAMETERS

H

H

REVISION		DATE	MARKINGS 544-EIA DATE CODE CC 110-030	LOCATION TOP OF CLIP	
A	RELEASED	06/14/99	DESCRIPTION 1.0 AMP 3 MILLIHENRY COMMON MODE CHOKE	TOLERANCE UNLESS OTHERWISE SPECIFIED 2 PLACE DECIMALS ±0.010 3 PLACE DECIMALS ±0.005 FRACTIONS ±1/64 ANGLES ±1/2°	PROPRIETARY INFORMATION PROPERTY OF CRAMER COIL & TRANSFORMER CO. DUPLICATION AND/OR DISTRIBUTION BY PERMISSION ONLY
			CUSTOMER		
			PAGE 1 OF 1		
			G:\DATA\SPECS\ENG\CC\110-030	CUSTOMER PART NUMBER	REV
			DR. NJW	DATE 06/14/99	
			APPD. MJA	DATE 06/18/99	
				CRAMER PART NUMBER CC 110-030	REV A

I

I

J

J

1

2

3

4

5

6