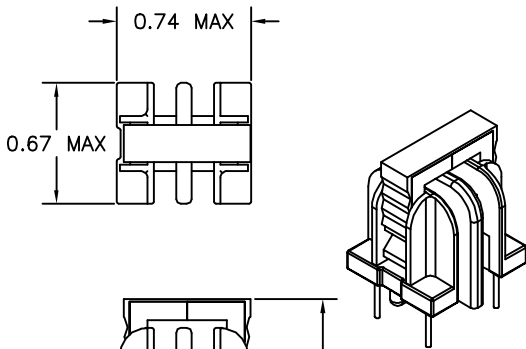
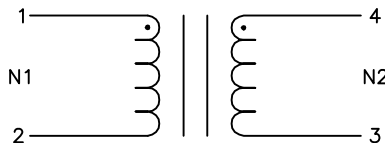


1 2 3 4 5 6

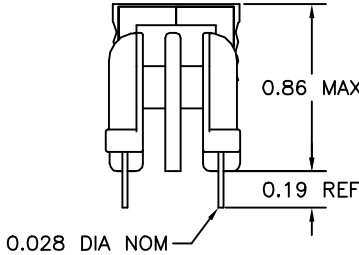
A



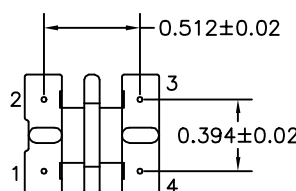
B



C



D



E

ELECTRICAL SPECIFICATIONS

L @ 1kHz .1V - (1-2) 5mH MIN  
 LL @ 100kHz .1V - (1-2) 129µH TYP  
 (WITH 3&4 SHORTED)  
 CC @ 100kHz .1V - (1-4) 4.5pF TYP  
 TURNS RATIO - ±3%  
 N1:N2 - 1:1  
 DCR - OHMS TYP  
 N1 - 0.651  
 N2 - 0.651  
 HIPOT - 2500VAC 1MIN OR 3000VAC 1SEC  
 N1 TO N2

F

G

CRAMER RESERVES THE RIGHT TO CHANGE TOLERANCE ON PARASITIC PARAMETERS

H

REVISION		DATE	MARKINGS 544-EIA DATE CODE CC 110-050	LOCATION TOP OF CLIP	
A	RELEASED	06/14/99	DESCRIPTION 1.0 AMP 5 MILLIHENRY COMMON MODE CHOKE	TOLERANCE UNLESS OTHERWISE SPECIFIED 2 PLACE DECIMALS ±0.010 3 PLACE DECIMALS ±0.005 FRACTIONS ±1/64 ANGLES ±1/2°	PROPRIETARY INFORMATION PROPERTY OF CRAMER COIL & TRANSFORMER CO. DUPLICATION AND/OR DISTRIBUTION BY PERMISSION ONLY
			CUSTOMER		
			PAGE 1 OF 1		
			G:\DATA\SPECS\ENG\CC\110-050	CUSTOMER PART NUMBER	REV
			DR. NJW	DATE 06/14/99	
			APPD. MJA	DATE 06/18/99	
				CRAMER PART NUMBER CC 110-050	REV A

J

1 2 3 4 5 6