

1

2

3

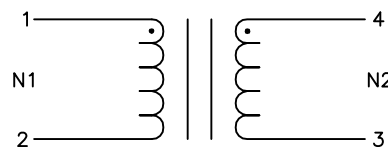
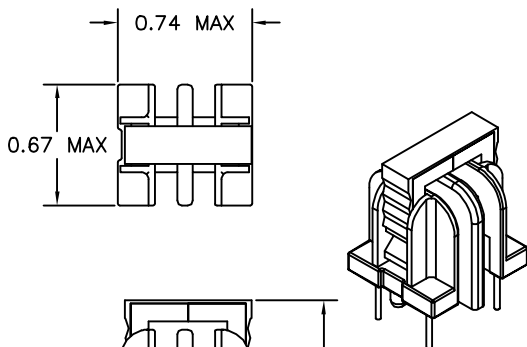
4

5

6

A

A



B

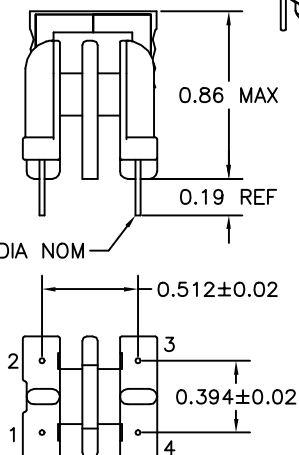
B

C

C

D

D



E

E

ELECTRICAL SPECIFICATIONS

L @ 1kHz .1V - (1-2) 600μH MIN

LL @ 100kHz .1V - (1-2) 15.5μH TYP
(WITH 3&4 SHORTED)

CC @ 100kHz .1V - (1-4) 4.0pF TYP

URNS RATIO - ±3%
N1:N2 - 1:1

DCR - OHMS TYP
N1 - 0.087
N2 - 0.087

HIPOT - 2500VAC 1MIN OR 3000VAC 1SEC
N1 TO N2

F

F

G

G

CRAMER RESERVES THE RIGHT TO CHANGE TOLERANCE ON PARASITIC PARAMETERS

H

H

REVISION		DATE	MARKINGS 544-EIA DATE CODE CC 120-006	LOCATION TOP OF CLIP	
0	PRELIMINARY	06/16/99	DESCRIPTION 2.0 AMP 600 MICROHENRY COMMON MODE CHOKE	TOLERANCE UNLESS OTHERWISE SPECIFIED 2 PLACE DECIMALS ±0.010 3 PLACE DECIMALS ±0.005 FRACTIONS ±1/64 ANGLES ±1/2°	PROPRIETARY INFORMATION PROPERTY OF CRAMER COIL & TRANSFORMER CO. DUPLICATION AND/OR DISTRIBUTION BY PERMISSION ONLY
A	RELEASED	08/28/00			
CUSTOMER					
PAGE 1 OF 1					
G:\DATA\SPECS\ENG\CC\120-006			CUSTOMER PART NUMBER		REV
DR. NJW			DATE 06/16/99		CRAMER PART NUMBER CC 120-006
APPD. MJA			DATE 06/18/99		

J

J

1

2

3

4

5

6