

1

2

3

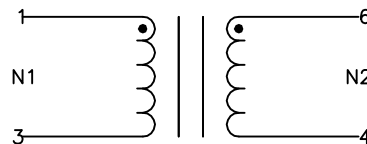
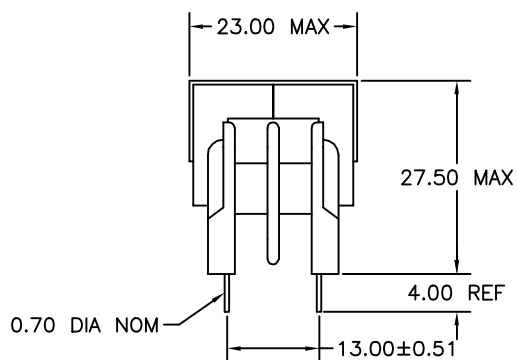
4

5

6

A

A

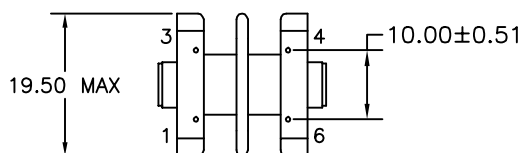


B

B

C

C



D

D

E

E

**ELECTRICAL SPECIFICATIONS**

L @ 10kHz .1V - (1-3) 45mH MIN

LL @ 100kHz 10mA - (1-3) 698μH TYP, TOL TBD  
(WITH 4&6 SHORTED)

CC @ 100kHz .1V - (1-6) 5.3pF TYP, TOL TBD

TURNS RATIO - ±3%  
N1:N2 - 1:1DCR - OHMS TYP, TOL TBD  
N1 - 2.04  
N2 - 2.04HIPOT - 2500VAC 1MIN OR 3000VAC 1SEC  
N1 TO N2

F

F

G

G

H

H

REVISION		DATE	MARKINGS	LOCATION
A	RELEASED	09/11/06	544-DATE CODE CC 505-450	TOP OF CLIP
			DESCRIPTION	TOLERANCE UNLESS OTHERWISE SPECIFIED 2 PLACE DECIMALS ±.010 3 PLACE DECIMALS ±.005 FRACTIONS ±1/64 ANGLES ±1/2°
			0.5 A 45 MILLIHENRY C.M. CHOKE	
			CUSTOMER	PROPRIETARY INFORMATION PROPERTY OF CRAMER COIL & TRANSFORMER CO. DUPLICATION AND/OR DISTRIBUTION BY PERMISSION ONLY
			G:\DATA\SPECS\ENG\CC\505-450	
			DR. MEC	CUSTOMER PART NUMBER
			DATE 09/11/06	REV
			APPD. MJA	CRAMER PART NUMBER
			DATE 09/11/06	REV A
				CC 505-450

1

2

3

4

5

6

J

J