

1

2

3

4

5

6

A

B

C

D

E

F

G

H

I

J

A

B

C

D

E

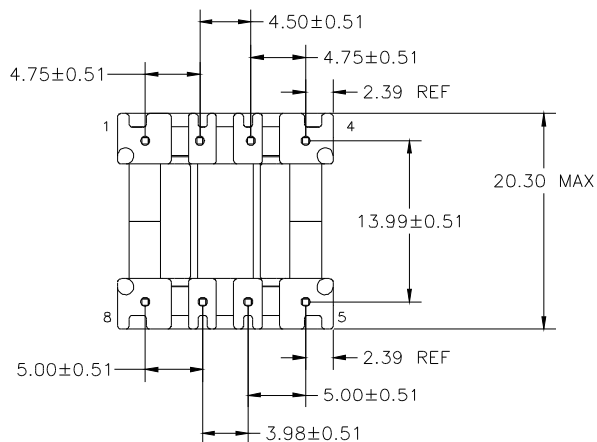
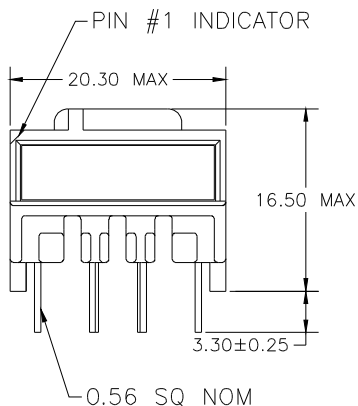
F

G

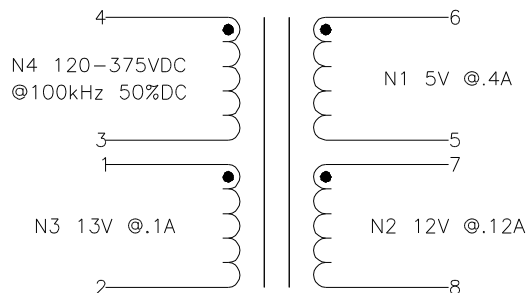
H

I

J



FOR USE WITH
STMicroelectronics
VIPer 20
PRIMARY REGULATION



NOTE:
POLARITY SHOWN IS THE TRANSFORMER.
FOR CORRECT FLYBACK OPERATION
CONNECT B+ TO PIN 3.

ELECTRICAL SPECIFICATIONS

L @ 1kHz .1V - (3-4) 2.8mH ±10

LL @ 100kHz .1V - (3-4) 70µH TYP, TOL TBD
(WITH 1,2,5-8 SHORTED)

URNS RATIO - ±3
3-4:1-2 - 1:0.114
3-4:5-6 - 1:0.048
3-4:8-7 - 1:0.108

DCR - OHMS TYP, TOL TBD
3-4 - 4.92
1-2 - 0.519
5-6 - 0.051
7-8 - 0.296

HIPOT - 4000VAC 1SEC
N1,N2 TO N3,N4

NOTE:
MEETS CONSTRUCTION FOR:
UL 1310, 1950, 1411
EN60950

REVISION		DATE	MARKINGS	LOCATION
O	PRELIMINARY	12/15/99	CRAMER EIA DATE CODE CVP 10-002	PIN RAIL SIDE OF CORE
1	CHANGED PIN OUTS	02/02/00	DESCRIPTION	TOLERANCE UNLESS OTHERWISE SPECIFIED 2 PLACE DECIMALS ±.010 3 PLACE DECIMALS ±.005 FRACTIONS ±1/64 ANGLES ±1/2°
A	RELEASED	05/31/02	CUSTOMER	PROPRIETARY INFORMATION PROPERTY OF CRAMER COIL & TRANSFORMER CO. DUPLICATION AND/OR DISTRIBUTION BY PERMISSION ONLY
B	HIPOT WAS 5500VAC	02/19/03	CRAMER STANDARD	
C	UPDATED DIM TO METRIC	12/18/03	G:\DATA\SPESCS\ENG\CVP\10-002	
			DR. MEC	DATE 12/15/99
			APPD. JDB	DATE 12/15/99
			CUSTOMER PART NUMBER	REV
			CRAMER PART NUMBER CVP 10-002	REV C

1

2

3

4

5

6