

1

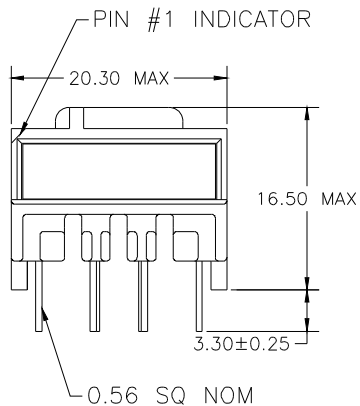
2

3

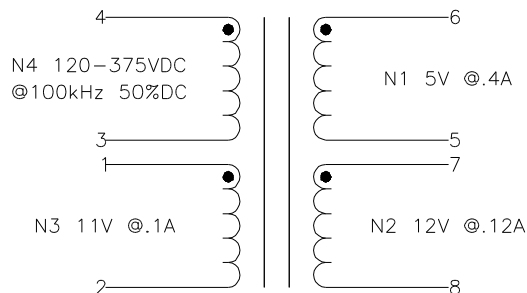
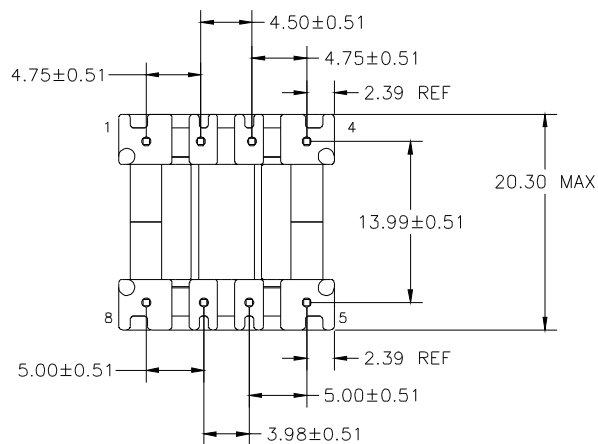
4

5

6



FOR USE WITH
STMicroelectronics
VIPer 20
SECONDARY REGULATION



NOTE:
POLARITY SHOWN IS THE TRANSFORMER.
FOR CORRECT FLYBACK OPERATION
CONNECT B+ TO PIN 3.

ELECTRICAL SPECIFICATIONS

L @ 1kHz .1V - (3-4) 2.8mH ±10%

LL @ 100kHz .1V - (3-4) 66µH TYP, TOL TBD
(WITH 1,2,5-8 SHORTED)

URNS RATIO ±3%

3-4:1-2 - 1:0.096

3-4:5-6 - 1:0.048

3-4:8-7 - 1:0.108

DCR - OHMS TYP, TOL TBD

3-4 - 4.83

1-2 - 0.437

5-6 - 0.049

7-8 - 0.274

HIPOT - 4000VAC 1SEC

N1,N2 TO N3,N4

NOTE:
MEETS CONSTRUCTION FOR:
UL 1310, 1950, 1411
EN60950

REVISION		DATE	MARKINGS	LOCATION
0	PRELIMINARY	01/21/00	CRAMER EIA DATE CODE CVP 10-011	PIN RAIL SIDE OF CORE
1	CHANGED PIN OUTS	02/22/00	DESCRIPTION	TOLERANCE UNLESS OTHERWISE SPECIFIED 2 PLACE DECIMALS ±.010 3 PLACE DECIMALS ±.005 FRACTIONS ±1/64 ANGLES ±1/2°
A	RELEASED	02/18/03	CUSTOMER	PROPRIETARY INFORMATION PROPERTY OF CRAMER COIL & TRANSFORMER CO. DUPLICATION AND/OR DISTRIBUTION BY PERMISSION ONLY
B	UPDATED DIM TO METRIC	12/18/03	CRAMER STANDARD	
			G:\DATA\SPCS\ENG\CVP\10-011	
			DR. CAM	DATE 01/21/00
			APPD. JDB	DATE 01/21/00
			CUSTOMER PART NUMBER	REV
			CRAMER PART NUMBER CVP 10-011	REV B

1

2

3

4

5

6