

1

2

3

4

5

6

A

A

B

B

C

C

D

D

E

E

F

F

G

G

H

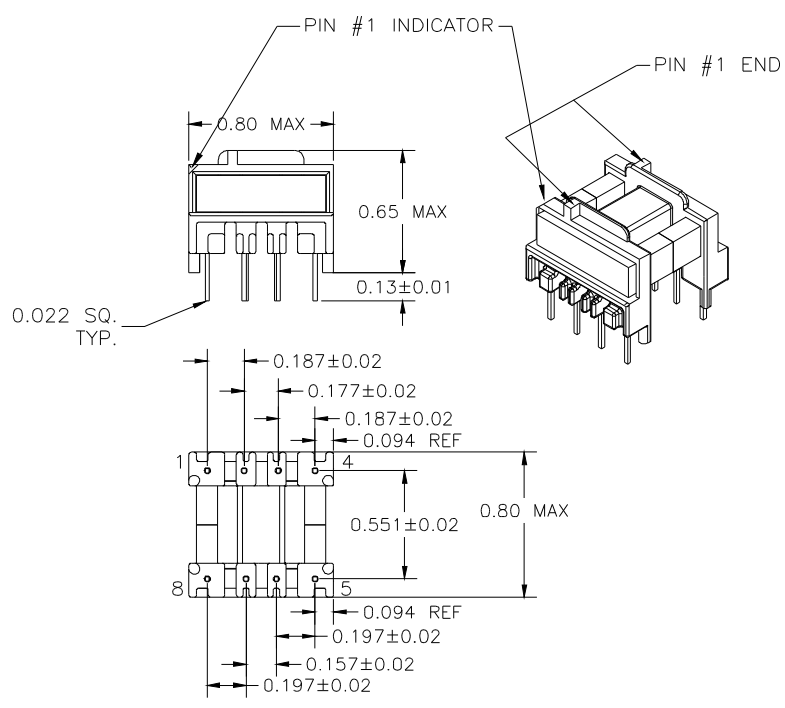
H

I

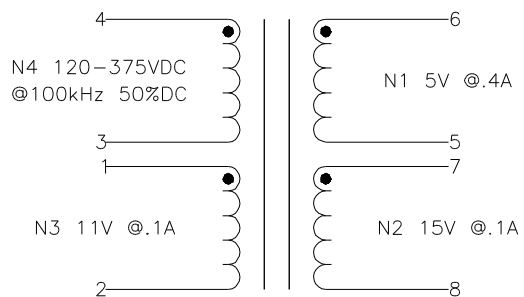
I

J

J



FOR USE WITH
STMicroelectronics
VIPer 20
SECONDARY REGULATION



NOTE:
POLARITY SHOWN IS THE TRANSFORMER.
FOR CORRECT FLYBACK OPERATION
CONNECT B+ TO PIN 3.

ELECTRICAL SPECIFICATIONS

- L @ 1kHz .1V - (3-4) 2.8mH ±10
- LL @ 100kHz .1V - (3-4) 28µH TYP, TOL TBD
(WITH 1,2,5-8 SHORTED)
- URNS RATIO - ±3
 - 3-4:1-2 - 1:0.096
 - 3-4:5-6 - 1:0.048
 - 3-4:8-7 - 1:0.132
- DCR - OHMS TYP, TOL TBD
 - 3-4 - 4.1
 - 1-2 - 0.34
 - 5-6 - 0.06
 - 7-8 - 0.42
- HIPOT - 5500VAC 1SEC
N1,N2 TO N3,N4

NOTE:
MEETS CONSTRUCTION FOR:
UL 1310, 1950, 1411
IEC 61558-1, 2-17, EN60950

| REVISION | | DATE | MARKINGS | LOCATION |
|----------|------------------|----------|--|--|
| 0 | PRELIMINARY | 01/21/00 | CRAMER EIA DATE CODE CVP 10-012 | PIN RAIL SIDE OF CORE |
| 1 | CHANGED PIN OUTS | 02/22/00 | DESCRIPTION 5 VA FLYBACK XFMR 5, 15 | TOLERANCE UNLESS OTHERWISE SPECIFIED 2 PLACE DECIMALS ±.010 3 PLACE DECIMALS ±.005 FRACTIONS ±1/64 ANGLES ±1/2° |
| | | | CUSTOMER CRAMER STANDARD | PROPRIETARY INFORMATION PROPERTY OF CRAMER COIL & TRANSFORMER CO. DUPLICATION AND/OR DISTRIBUTION BY PERMISSION ONLY |
| | | | G:\DATA\SPCS\ENG\CVP\10-012 | CUSTOMER PART NUMBER |
| | | | DR. CAM | DATE 01/21/00 |
| | | | APPD. JDB | DATE 01/21/00 |
| | | | | CRAMER PART NUMBER CVP 10-012 |
| | | | | REV 1 |

1

2

3

4

5

6