

1

2

3

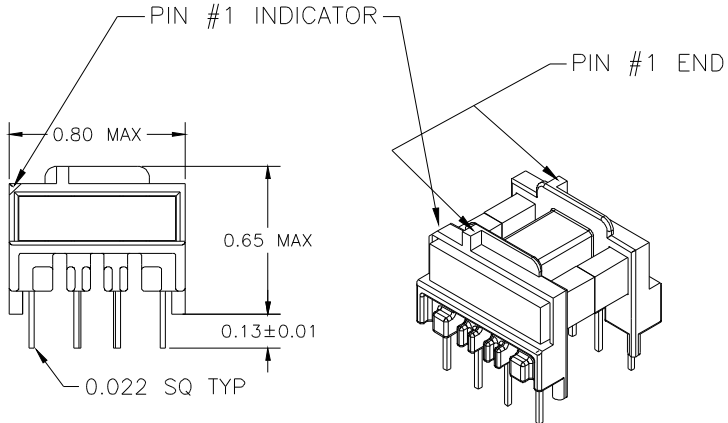
4

5

6

A

A



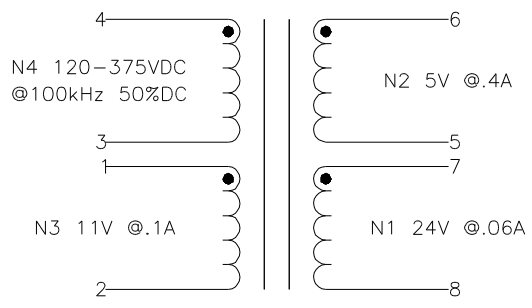
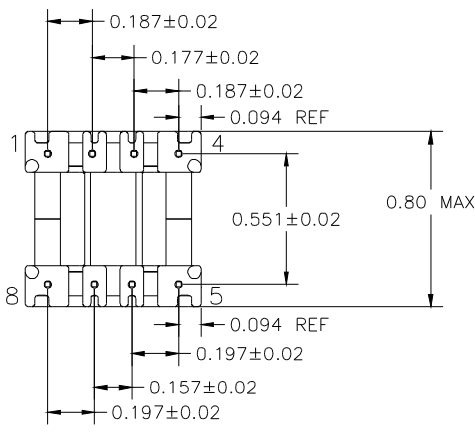
FOR USE WITH
STMicroelectronics
VIPer 20
SECONDARY REGULATION

B

B

C

C



NOTE:
POLARITY SHOWN IS THE
TRANSFORMER. FOR CORRECT
FLYBACK OPERATION CONNECT
B+ TO PIN 3.

D

D

E

E

ELECTRICAL SPECIFICATIONS

L @ 1kHz .1V - (3-4) 2.8mH ±10%

LL @ 100kHz .1V - (3-4) 27µH TYP, TOL TBD
(WITH 1,2,5-8 SHORTED)

URNS RATIO - ±3%
3-4:1-2 - 1:0.096
3-4:5-6 - 1:0.048
3-4:8-7 - 1:0.204

DCR - OHMS TYP, TOL TBD
3-4 - 4.1
1-2 - 0.34
5-6 - 0.06
7-8 - 0.65

HIPOT - 5500VAC 1SEC
N1,N2 TO N3,N4

NOTE:
MEETS CONSTRUCTION FOR:
UL 1310, 1950, 1411
IEC 61558-1, 2-17, EN60950

F

F

G

G

H

H

REVISION		DATE	MARKINGS	LOCATION	
0	PRELIMINARY	01/21/00	CRAMER EIA DATE CODE CVP 10-014	PIN RAIL SIDE OF CORE	
1	CHANGED PIN OUTS	02/22/00	DESCRIPTION 5 VA FLYBACK XFMR 5, 24	TOLERANCE UNLESS OTHERWISE SPECIFIED 2 PLACE DECIMALS ±.010 3 PLACE DECIMALS ±.005 FRACTIONS ±1/64 ANGLES ±1/2°	PROPRIETARY INFORMATION PROPERTY OF CRAMER COIL & TRANSFORMER CO. DUPLICATION AND/OR DISTRIBUTION BY PERMISSION ONLY
			CUSTOMER CRAMER STANDARD		
			G:\DATA\SPCS\ENG\CVP\10-014		
			DR. CAM	DATE 01/21/00	CUSTOMER PART NUMBER
			APPD. JDB	DATE 01/21/00	REV
					CRAMER PART NUMBER CVP 10-014
					REV 1

1

2

3

4

5

6

J

J