

1

2

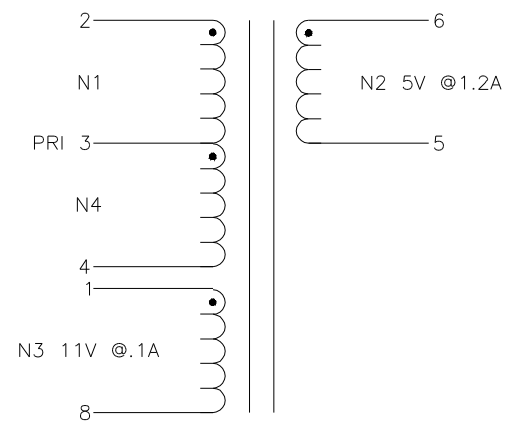
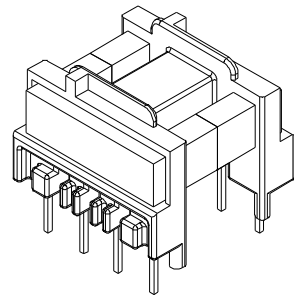
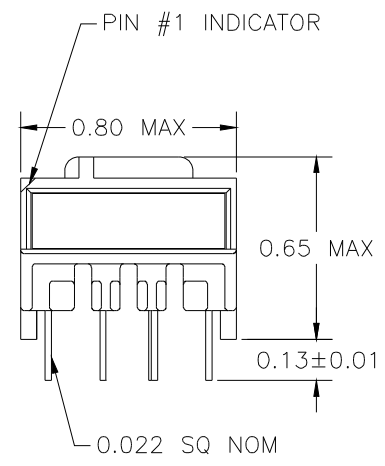
3

4

5

6

A



B

C

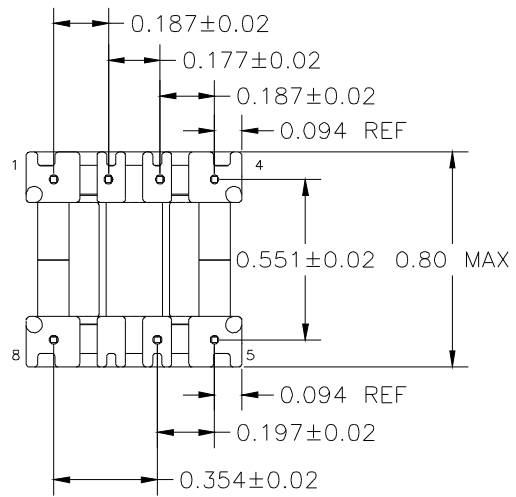
D

E

F

G

H



ELECTRICAL SPECIFICATIONS

L @ 1kHz 10mA - (2-4) 3.42mH ±10%

LL @ 100kHz 10mA - (2-4) 44µH TYP, TOL TBD
(WITH 1,5,6,8 SHORTED)

URNS RATIO - ±3%
2-4:6-5 - 1:0.049
2-4:1-8 - 1:0.108

DCR - OHMS TYP, TOL TBD
2-4 - 4.85
6-5 - 0.029
1-8 - 0.581

HIPOT - 4000VAC 1SEC
N1,N3,N4 TO N2

REVISION		DATE
A	RELEASED	09/14/00

MARKINGS	LOCATION	
CRAMER EIA DATE CODE CVP 10-024	PIN RAIL SIDE OF CORE	
DESCRIPTION	TOLERANCE UNLESS OTHERWISE SPECIFIED 2 PLACE DECIMALS ±.010 3 PLACE DECIMALS ±.005 FRACTIONS ±1/64 ANGLES ±1/2°	PROPRIETARY INFORMATION PROPERTY OF CRAMER COIL & TRANSFORMER CO. DUPLICATION AND/OR DISTRIBUTION BY PERMISSION ONLY
CUSTOMER		
ST MICROELECTRONICS		
G:\DATA\SPCS\ENG\CVP\10-024	CUSTOMER PART NUMBER CVP 10-024	REV A
DR. MEC	DATE 09/14/00	CRAMER PART NUMBER CVP 10-024 REV A
APPD. JDB	DATE 09/15/00	

1

2

3

4

5

6

A

B

C

D

E

F

G

H

I

J