

1

2

3

4

5

6

A

B

C

D

E

F

G

H

I

J

A

B

C

D

E

F

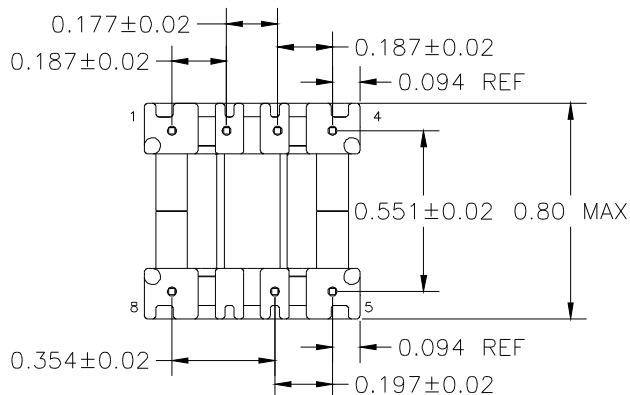
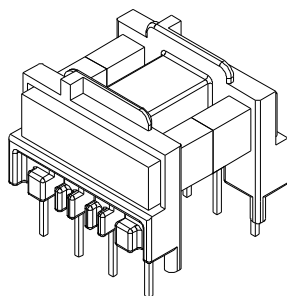
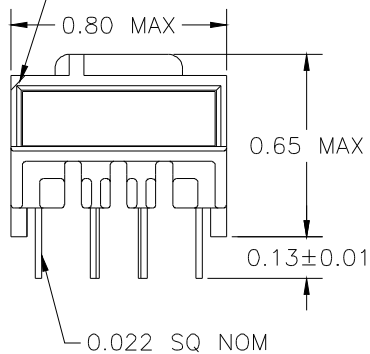
G

H

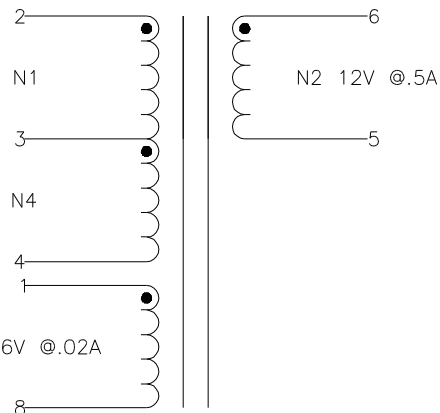
I

J

PIN #1 INDICATOR



120-400V
60KHZ
50% DC

**ELECTRICAL SPECIFICATIONS**

L @ 1kHz .1V - (2-4) 3.25mH ±10%

LL @ 100kHz .1V - (2-4) 34μH TYP, TOL TBD
(WITH 1,5,6,8 SHORTED)

TURNS RATIO - ±3%

N1/N4:N2 - 1:0.106

N1/N4:N3 - 1:0.144

DCR - OHMS TYP, TOL TBD

N1/N4 - 6.24

N2 - 0.100

N3 - 0.996

HIPOT - 4000VAC 1SEC

N1,N3,N4 TO N2

NOTE:

MEETS CONSTRUCTION FOR:
UL 1310, 1950, 1411
EN60950

REVISION

DATE

MARKINGS

CRAMER DATE CODE
CVP 10-030

LOCATION

PIN RAIL SIDE OF CORE

0 PRELIMINARY 05/06/03

A RELEASED 05/07/03

DESCRIPTION
12V 6VA VIPER 12A
TRANSFORMERTOLERANCE UNLESS
OTHERWISE SPECIFIED
2 PLACE DECIMALS ±.010
3 PLACE DECIMALS ±.005
FRACTIONS ±1/64
ANGLES ±1/2°PROPRIETARY INFORMATION
PROPERTY OF
CRAMER COIL & TRANSFORMER CO.
DUPLICATION AND/OR DISTRIBUTION
BY PERMISSION ONLYCUSTOMER
CRAMER COIL

G:\DATA\SPCS\ENG\CVP\10-030

CUSTOMER PART NUMBER

REV

DR.

NJW

DATE

05/06/03

APPD.

JDB

DATE

05/07/03

CRAMER PART NUMBER

CVP 10-030

REV

A

1

2

3

4

5

6