

1

2

3

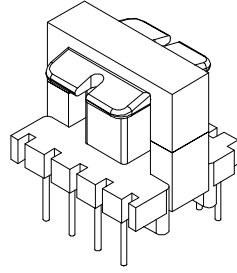
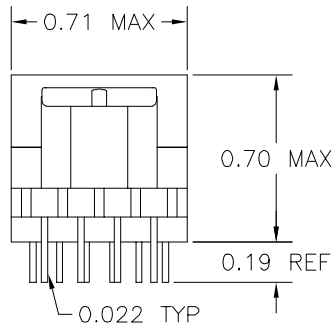
4

5

6

A

A

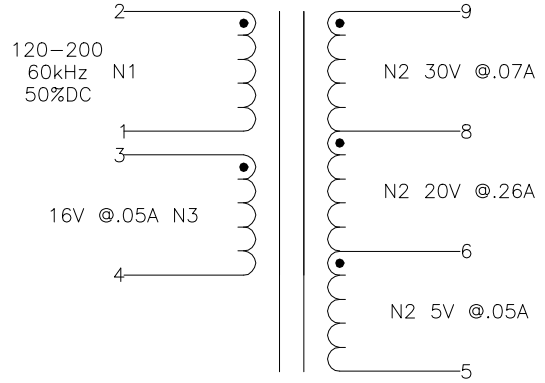
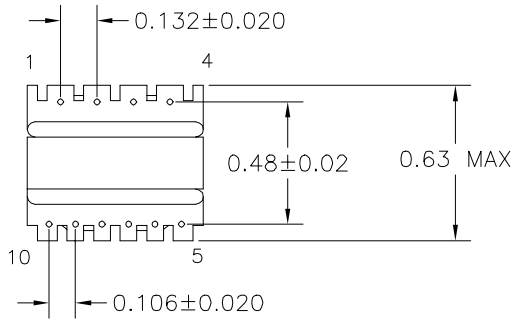


B

B

C

C



D

D

E

E

ELECTRICAL SPECIFICATIONS

L @ 1kHz 10mA - (2-1) 2.45mH ±10%

LL @ 100kHz 10mA - (2-1) 64µH TYP, TOL TBD
(WITH 3-9 SHORTED)

TURNS RATIO - ±3%

N1:N2 - 1:0.250

N1:N3 - 1:0.135

DCR - OHMS TYP, TOL TBD

N1 - 3.60

N2 - 0.439

N3 - 0.659

HIPOT - 1800VAC 1MIN OR 1500VAC 1SEC
N1,N3 TO N2

F

F

G

G

H

H

REVISION		DATE	MARKINGS	LOCATION	
A	RELEASED	10/23/01	544-EIA DATE CODE VP11-017	TOP OF CORE	
B	REMOVED 10 VOLT TAP	11/26/01	DESCRIPTION 9VA VIPER FLYBACK XFMR	TOLERANCE UNLESS OTHERWISE SPECIFIED 2 PLACE DECIMALS ±.010 3 PLACE DECIMALS ±.005 FRACTIONS ±1/64 ANGLES ±1/2°	PROPRIETARY INFORMATION PROPERTY OF CRAMER COIL & TRANSFORMER CO. DUPLICATION AND/OR DISTRIBUTION BY PERMISSION ONLY
C	UPDATED PIN TO PIN & HEIGHT DIMENSIONS	06/27/03	CUSTOMER		
			G:\DATA\SPECS\ENG\CVP\11-017	CUSTOMER PART NUMBER	REV
			DR. CAM	DATE 10/23/01	CRAMER PART NUMBER CVP 11-017
			APPD. JDB	DATE 10/24/01	

J

J

1

2

3

4

5

6