

1

2

3

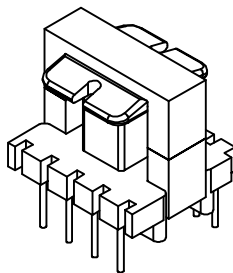
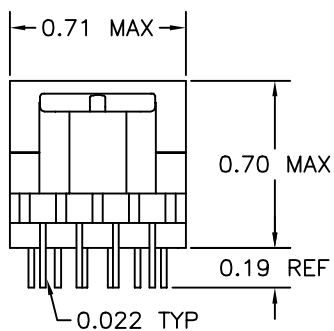
4

5

6

A

A

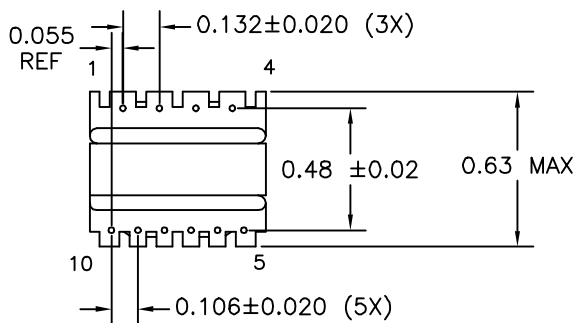


B

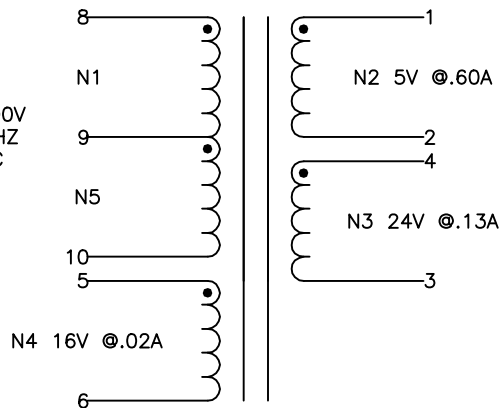
B

C

C



120-400V  
 @ 60KHZ  
 50% DC



D

D

E

E

**ELECTRICAL SPECIFICATIONS**

L @ 1kHz 10mA - (8-10) 3.25mH ±10%

LL @ 100kHz 10mA - (8-10) 60µH MAX  
 (WITH 1-6 SHORTED)

URNS RATIO - ±3%  
 N1/N5:N2 - 1:0.444  
 N1/N5:N3 - 1:0.20  
 N1/N5:N4 - 1:0.139

DCR - OHMS TYP, TOL TBD  
 N1/N5 - 6.25  
 N2 - 0.035  
 N3 - 0.693  
 N4 - 0.967

HIPOT - 4000VAC 1SEC  
 N1,N4,N5 TO N2,N3

NOTE:  
 MEETS CONSTRUCTION FOR:  
 UL 1310, 1950, 1411  
 EN60950

F

F

G

G

H

H

REVISION		DATE	MARKINGS 544-EIA DATE CODE VP11-024	LOCATION TOP OF CORE	
O	PRELIMINARY	05/09/02	DESCRIPTION 5V & 24V 6VA VIPER 12A XFMR	TOLERANCE UNLESS OTHERWISE SPECIFIED 2 PLACE DECIMALS ±.010 3 PLACE DECIMALS ±.005 FRACTIONS ±1/64 ANGLES ±1/2°	PROPRIETARY INFORMATION PROPERTY OF CRAMER COIL & TRANSFORMER CO. DUPLICATION AND/OR DISTRIBUTION BY PERMISSION ONLY
A	RELEASED	05/13/02			
B	REMOVED 61558 STANDARD, HEIGHT WAS 0.69 MAX	03/11/03	CUSTOMER		
C	LL WAS 38µH TYP	06/18/03			
D	UPDATED PIN TO PIN DIMENSIONS	06/30/03			
G:\DATA\SPECS\ENG\CVP\11-024			CUSTOMER PART NUMBER		REV
DR. MEC		DATE 05/09/02	CRAMER PART NUMBER		REV
APPD. JDB		DATE 05/13/02	CVP 11-024		D

J

J

1

2

3

4

5

6