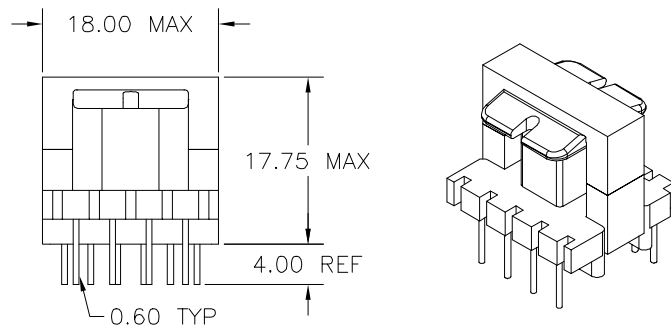


1 2 3 4 5 6

A

A

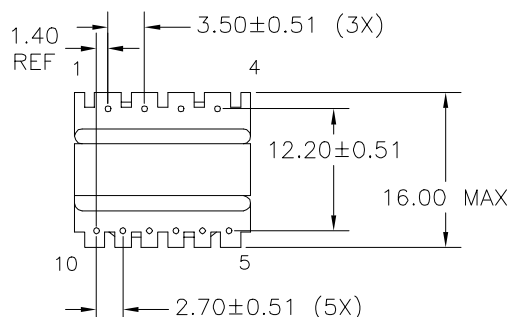


B

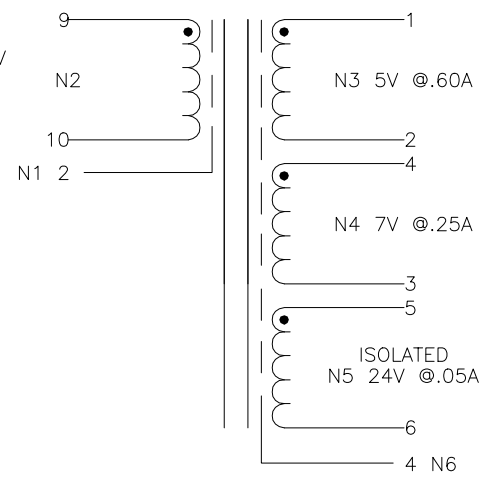
B

C

C



120-400V  
@ 60KHZ  
50% DC



D

D

E

E

ELECTRICAL SPECIFICATIONS

L @ 1kHz 10mA - (9-10) 3.25mH ±10%

LL @ 100kHz 10mA - (9-10) 71µH TYP, TOL TBD  
(WITH 1-6 SHORTED)

URNS RATIO - ±3%

N2:N3 - 1:0.044  
N2:N4 - 1:0.061  
N2:N5 - 1:0.189

DCR - OHMS TYP, TOL TBD

N2 - 4.35  
N3 - 0.035  
N4 - 0.127  
N5 - 0.627

HIPOT - 3000VAC 1SEC  
N5 TO N1,N2,N3,N4,N6

NOTES:  
POLARITY SHOWN IS FOR THE  
TRANSFORMER. FOR CORRECT  
FLYBACK OPERATION CONNECT  
B+ TO PIN 10.

N3 AND N4 ARE CONNECTED  
IN SERIES ON THE PC BOARD.

F

F

G

G

H

H

REVISION		DATE	MARKINGS	LOCATION	
A	RELEASED	08/28/03	544-DATE CODE VP11-044F	TOP OF CORE	
B	N4 RATIO WAS 0.200, UPDATED LL AND DCR'S	09/11/03	DESCRIPTION 5V & 12V 6VA ISO 24 XFMR	TOLERANCE UNLESS OTHERWISE SPECIFIED 2 PLACE DECIMALS ±.010 3 PLACE DECIMALS ±.005 FRACTIONS ±1/64 ANGLES ±1/2°	PROPRIETARY INFORMATION PROPERTY OF CRAMER COIL & TRANSFORMER CO. DUPLICATION AND/OR DISTRIBUTION BY PERMISSION ONLY
C	ADDED 2 SHIELDS, UPDATED LL & DCR'S	12/16/03	CUSTOMER		
D	UPDATED LL, STAMP REV & PIN LENGTH WAS 0.19 REF	12/17/03			
E	CONVERTED DIMENSIONS TO METRIC	12/29/03		CUSTOMER PART NUMBER	
F	N4 RATIO WAS .106, UPDATED LL AND DCR'S	01/15/04	G:\DATA\SPECS\ENG\CVP\11-044	REV	
			DR. MEC	DATE 08/28/03	CRAMER PART NUMBER
			APPD. JDB	DATE 08/29/03	CVP 11-044
					REV F

1 2 3 4 5 6

J

J