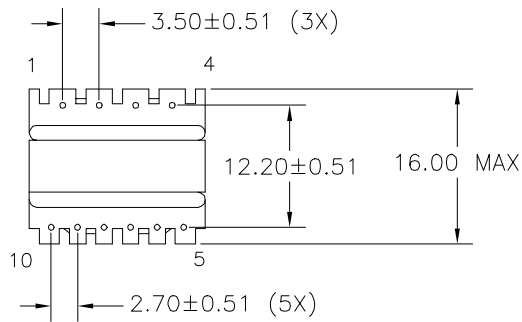
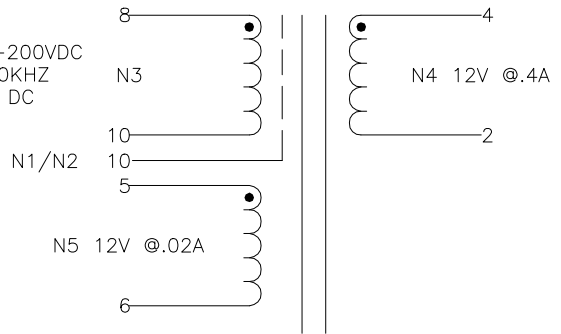


100-200VDC  
 @ 60KHZ  
 50% DC



**ELECTRICAL SPECIFICATIONS**

L @ 1kHz 10mA - (8-10) 5.7mH ±10%

LL @ 100kHz 10mA - (8-10) 118µH TYP, TOL TBD  
 (2-6 SHORTED)

URNS RATIO - ±3%  
 N3:N4 - 1:0.154  
 N3:N5 - 1:0.154

DCR - OHMS TYP, TOL TBD  
 N3 - 11.45  
 N4 - 0.333  
 N5 - 2.26

HIPOT - 4000VAC 1SEC  
 N3,N5 TO N4

REVISION		DATE	MARKINGS	LOCATION	
A	RELEASED	01/07/05	544 DATE CODE VP11-060	TOP OF CORE	
			DESCRIPTION	TOLERANCE UNLESS OTHERWISE SPECIFIED 2 PLACE DECIMALS ±.010 3 PLACE DECIMALS ±.005 FRACTIONS ±1/64 ANGLES ±1/2°	PROPRIETARY INFORMATION PROPERTY OF CRAMER COIL & TRANSFORMER CO. DUPLICATION AND/OR DISTRIBUTION BY PERMISSION ONLY
			5 VA FLYBACK		
			CUSTOMER		
			G:\DATA\SPECS\ENG\CVP\11-060	CUSTOMER PART NUMBER	REV
			DR. MEC	DATE 01/07/05	
			APPD. MJA	DATE 01/12/05	
				CRAMER PART NUMBER CVP 11-060	REV A