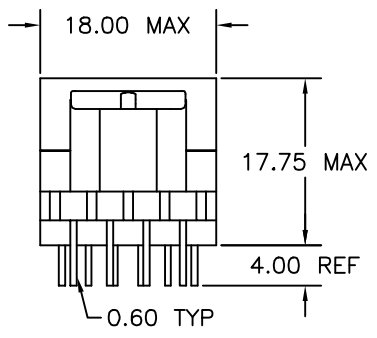


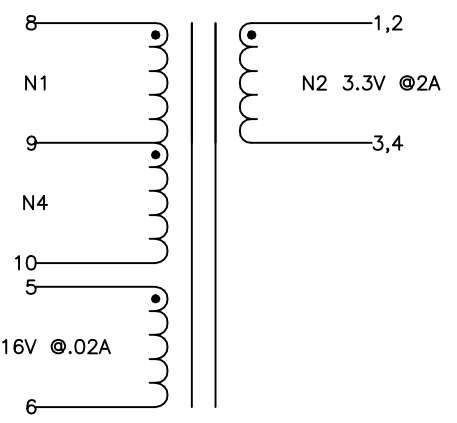
1 2 3 4 5 6

A
B
C
D
E
F
G
H
I
J

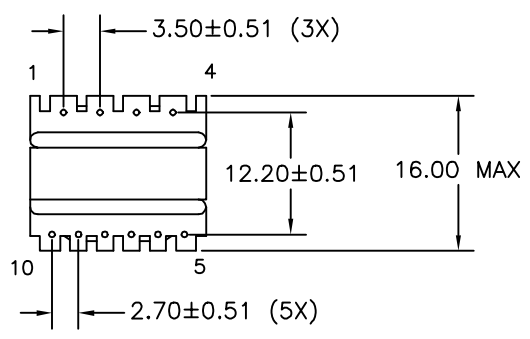
A
B
C
D
E
F
G
H
I
J



120-400V
@ 60KHZ
50% DC



NOTE:
POLARITY SHOWN IS FOR THE
TRANSFORMER. FOR CORRECT
FLYBACK OPERATION, CONNECT
B+ TO PIN 10.



ELECTRICAL SPECIFICATIONS

L @ 1kHz 10mA - (8-10) 3.25mH ±10%
 LL @ 100kHz 10mA - (8-10) 46µH TYP, TOL TBD
 (WITH 1-6 SHORTED)
 TURNS RATIO - ±3%
 N1/N4:N2 - 1:0.033
 N1/N4:N3 - 1:0.144
 DCR - OHMS TYP, TOL TBD
 N1/N4 - 6.07
 N2 - 0.012
 N3 - 0.917
 HIPOT - 4000VAC 1SEC
 N1,N3,N4 TO N2

REVISION		DATE	MARKINGS	LOCATION
A	RELEASED	03/24/05	544-DATE CODE VP11-062	TOP OF CORE
			DESCRIPTION	TOLERANCE UNLESS OTHERWISE SPECIFIED 2 PLACE DECIMALS ±.010 3 PLACE DECIMALS ±.005 FRACTIONS ±1/64 ANGLES ±1/2°
			3.3V 2A VIPER 12A FLYBACK	
			CUSTOMER	PROPRIETARY INFORMATION PROPERTY OF CRAMER COIL & TRANSFORMER CO. DUPLICATION AND/OR DISTRIBUTION BY PERMISSION ONLY
			G:\DATA\SPECS\ENG\CVP\11-062	CUSTOMER PART NUMBER
			DR. MEC	REV
			DATE 03/24/05	
			APPD. JDB	CRAMER PART NUMBER
			DATE 03/25/05	REV A
			CVP 11-062	

1 2 3 4 5 6