

1

2

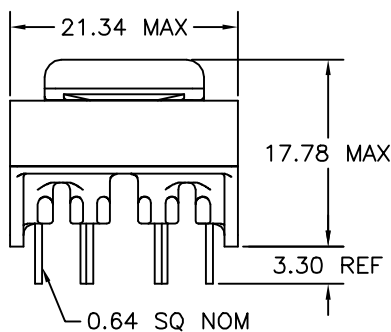
3

4

5

6

A



FOR USE WITH  
STMicroelectronics  
VIPer 50  
PRIMARY REGULATION

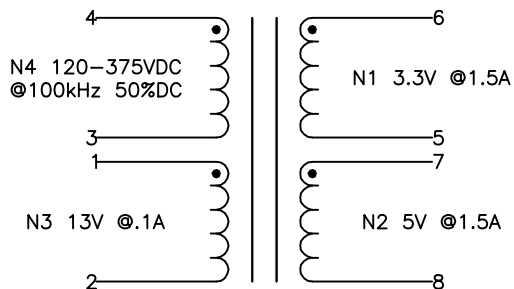
A

B

B

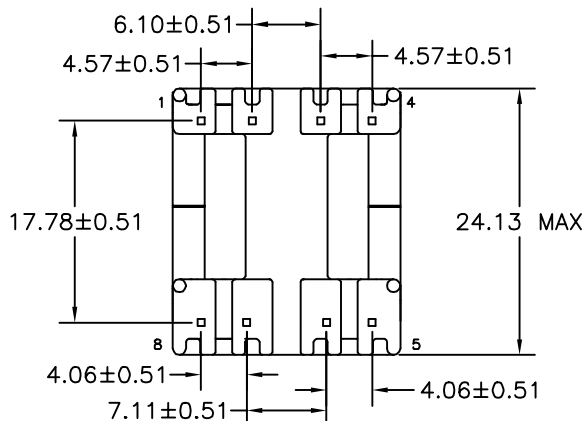
C

C



D

D



NOTE:  
POLARITY SHOWN IS FOR THE  
TRANSFORMER. FOR CORRECT  
FLYBACK OPERATION CONNECT  
B+ TO PIN 3.

E

E

**ELECTRICAL SPECIFICATIONS**

L @ 1kHz .1V - (3-4) 900µH ±10%

LL @ 100kHz .1V - (3-4) 23.1µH TYP, TOL TBD  
(WITH 1,2,5-8 SHORTED)

URNS RATIO - ±3%

N4:N1 - 1:0.045

N4:N2 - 1:0.068

N4:N3 - 1:0.148

DCR - OHMS TYP, TOL TBD

N1 - 0.008

N2 - 0.012

N3 - 0.223

N4 - 1.56

HIPOT - 5500VAC 1SEC  
N1,N2 TO N3,N4

NOTE:  
MEETS CONSTRUCTION FOR:  
UL 1310, 1950, 1411  
IEC 61558-1, 2-17, EN60950

F

F

G

G

H

H

REVISION		DATE	MARKINGS	LOCATION
0	PRELIMINARY	01/10/00	CRAMER DATE CODE CVP 30-005	PIN RAIL SIDE OF CORE
1	CHANGED PIN OUTS	02/22/00	DESCRIPTION 15 VA FLYBACK, 3.3,5	TOLERANCE UNLESS OTHERWISE SPECIFIED 2 PLACE DECIMALS ±.010 3 PLACE DECIMALS ±.005 FRACTIONS ±1/64 ANGLES ±1/2°
A	RELEASED	02/17/04	CUSTOMER	
			G:\DATA\SPECS\ENG\CVP\30-005	CUSTOMER PART NUMBER
			DR. CAM	REV
			DATE 01/10/00	CRAMER PART NUMBER
			APPD. JDB	CVP 30-005
			DATE 01/11/00	REV A

1

2

3

4

5

6

J

J