

1

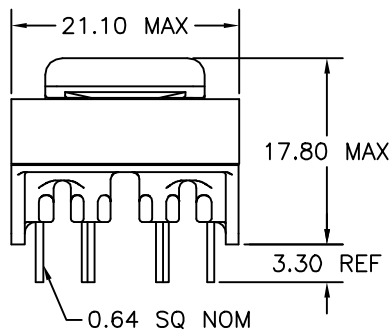
2

3

4

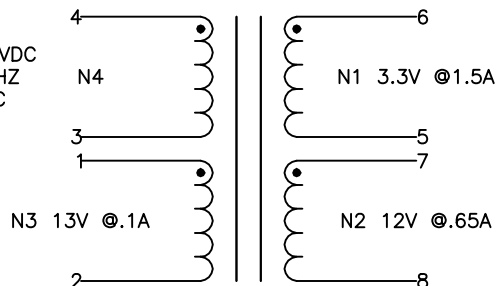
5

6

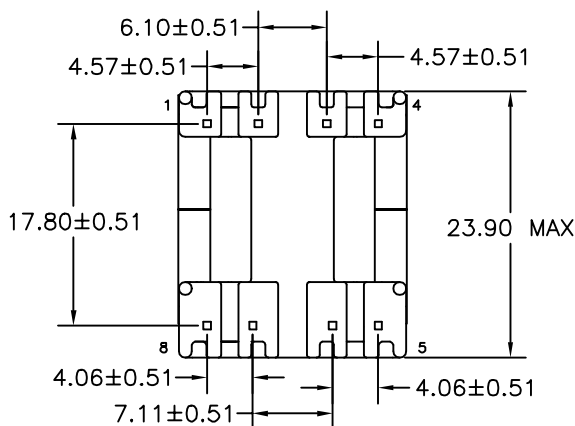


FOR USE WITH  
STMicroelectronics  
VIPer 50  
PRIMARY REGULATION

120-375VDC  
@100KHZ  
50%DC



NOTE:  
POLARITY SHOWN IS THE  
TRANSFORMER. FOR CORRECT  
FLYBACK OPERATION CONNECT  
B+ TO PIN 3.



#### ELECTRICAL SPECIFICATIONS

L @ 1kHz .1V - (3-4) 900μH ±10%

LL @ 100kHz .1V - (3-4) 23.3μH TYP, TOL TBD  
(WITH 1,2,5-8 SHORTED)

URNS RATIO - ±3%

N4:N1 - 1:0.045

N4:N2 - 1:0.160

N4:N3 - 1:0.148

DCR - OHMS TYP, TOL TBD

N1 - 0.008

N2 - 0.054

N3 - 0.217

N4 - 1.53

HIPOT - 5500VAC 1SEC  
N1,N2 TO N3,N4

NOTE:  
MEETS CONSTRUCTION FOR:  
UL 1310, 1950, 1411  
IEC 61558-1, 2-17, EN60950

REVISION

DATE

MARKINGS

CRAMER DATE CODE  
CVP 30-006

LOCATION

PIN RAIL SIDE OF CORE

0	PRELIMINARY	01/10/00
---	-------------	----------

1	CHANGED PIN OUTS	02/22/00
---	------------------	----------

A	RELEASED	12/11/03
---	----------	----------

DESCRIPTION

15 VA FLYBACK, 3.3, 12

TOLERANCE UNLESS  
OTHERWISE SPECIFIED  
2 PLACE DECIMALS ±.010  
3 PLACE DECIMALS ±.005  
FRACTIONS ±1/64  
ANGLES ±1/2°

PROPRIETARY INFORMATION  
PROPERTY OF  
CRAMER COIL & TRANSFORMER CO.  
DUPLICATION AND/OR DISTRIBUTION  
BY PERMISSION ONLY

CUSTOMER



G:\DATA\SPECS\ENG\CVP\30-006

CUSTOMER PART NUMBER

REV

DR.

CAM

DATE

01/10/00

CRAMER PART NUMBER

REV

APPD.

JDB

DATE

01/11/00

CVP 30-006

A

1

2

3

4

5

6