

1

2

3

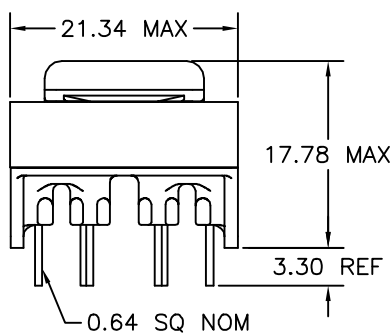
4

5

6

A

A



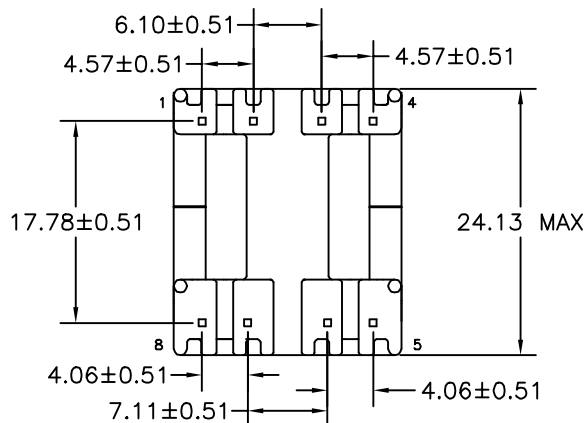
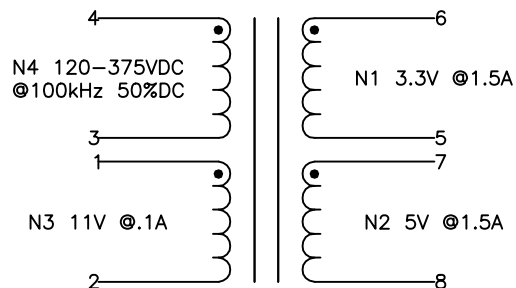
FOR USE WITH
STMicroelectronics
VIPer 50
SECONDARY REGULATION

B

B

C

C



NOTE:
POLARITY SHOWN IS FOR THE
TRANSFORMER. FOR CORRECT
FLYBACK OPERATION CONNECT
B+ TO PIN 3.

D

D

E

E

ELECTRICAL SPECIFICATIONS

L @ 1kHz .1V - (3-4) 900µH ±10%

LL @ 100kHz .1V - (3-4) 24.6µH TYP, TOL TBD
(WITH 1,2,5-8 SHORTED)

URNS RATIO - ±3%

N4:N1 - 1:0.045

N4:N2 - 1:0.068

N4:N3 - 1:0.136

DCR - OHMS TYP, TOL TBD

N1 - 0.008

N2 - 0.012

N3 - 0.206

N4 - 1.56

HIPOT - 5500VAC 1SEC

N1,N2 TO N3,N4

NOTE:
MEETS CONSTRUCTION FOR:
UL 1310, 1950, 1411
IEC 61558-1, 2-17, EN60950

F

F

G

G

H

H

REVISION		DATE	MARKINGS	LOCATION
0	PRELIMINARY	01/10/00	CRAMER DATE CODE CVP 30-014	PIN RAIL SIDE OF CORE
1	CHANGED PIN OUTS	02/22/00	DESCRIPTION 15 VA FLYBACK, 3.3,5	TOLERANCE UNLESS OTHERWISE SPECIFIED 2 PLACE DECIMALS ±.010 3 PLACE DECIMALS ±.005 FRACTIONS ±1/64 ANGLES ±1/2° PROPRIETARY INFORMATION PROPERTY OF CRAMER COIL & TRANSFORMER CO. DUPLICATION AND/OR DISTRIBUTION BY PERMISSION ONLY
A	RELEASED	02/17/04	CUSTOMER	
			G:\DATA\SPECS\ENG\CVP\30-014	CUSTOMER PART NUMBER
			DR. CAM	REV
			DATE 01/10/00	CRAMER PART NUMBER
			APPD. JDB	CVP 30-014
			DATE 01/11/00	REV A

1

2

3

4

5

6

J

J