

1

2

3

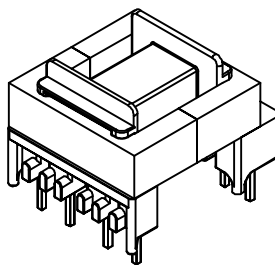
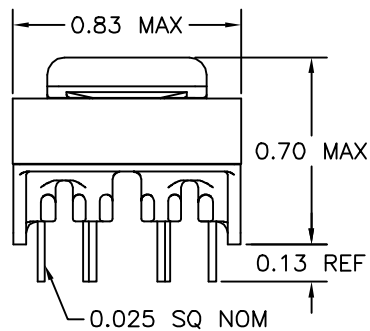
4

5

6

A

A

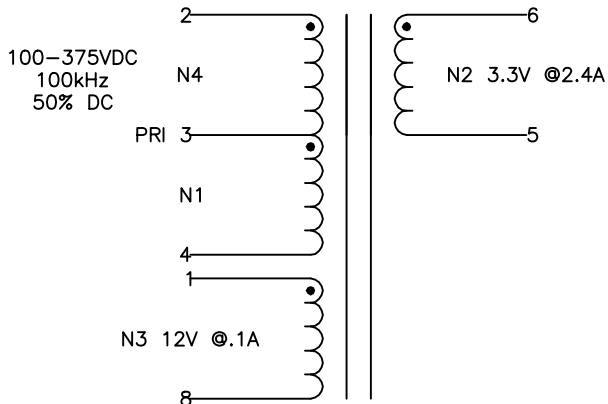
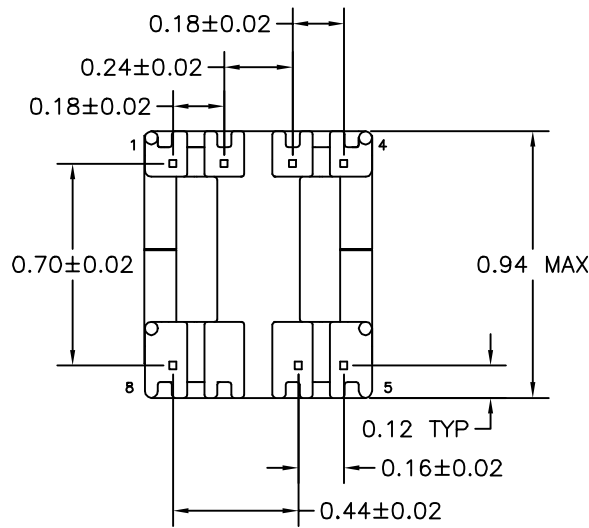


B

B

C

C



D

D

E

E

F

F

ELECTRICAL SPECIFICATIONS

L @ 1kHz 10mA - (2-4) 1mH ±10%

LL @ 100kHz 10mA - (2-4) 16µH TYP, TOL TBD
(WITH 1,5,6,8 SHORTED)

URNS RATIO - ±3%

N1/N4:N2 - 1:0.036

N1/N4:N3 - 1:0.119

DCR - OHMS TYP, TOL TBD

N1/N4 - 1.67

N2 - 0.011

N3 - 0.229

HIPOT - 4000VAC 1SEC

N1,N3,N4 TO N2

G

G

H

H

REVISION		DATE	MARKINGS	LOCATION
A	RELEASED	07/17/01	CRAMER EIA DATE CODE CVP 30-020	PIN RAIL SIDE OF CORE
			DESCRIPTION	TOLERANCE UNLESS OTHERWISE SPECIFIED 2 PLACE DECIMALS ±.010 3 PLACE DECIMALS ±.005 FRACTIONS ±1/64 ANGLES ±1/2°
			10 VA FLYBACK, 3.3	PROPRIETARY INFORMATION PROPERTY OF CRAMER COIL & TRANSFORMER CO. DUPLICATION AND/OR DISTRIBUTION BY PERMISSION ONLY
			CUSTOMER	
			G:\DATA\SPECS\ENG\CVP\30-020	
			DR. CAM	CUSTOMER PART NUMBER
			DATE 07/17/01	REV
			APPD. JDB	CRAMER PART NUMBER
			DATE 07/18/01	CVP 30-020
				REV A

J

J

1

2

3

4

5

6