

1

2

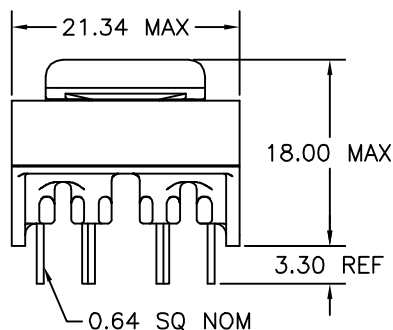
3

4

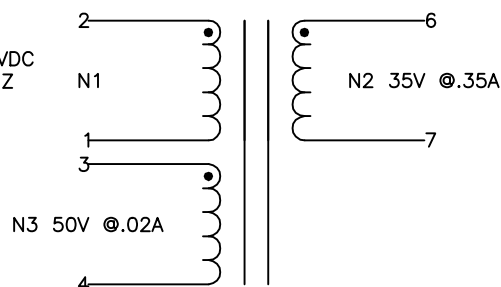
5

6

A



100-400VDC  
 @ 100KHZ  
 50% DC



A

B

B

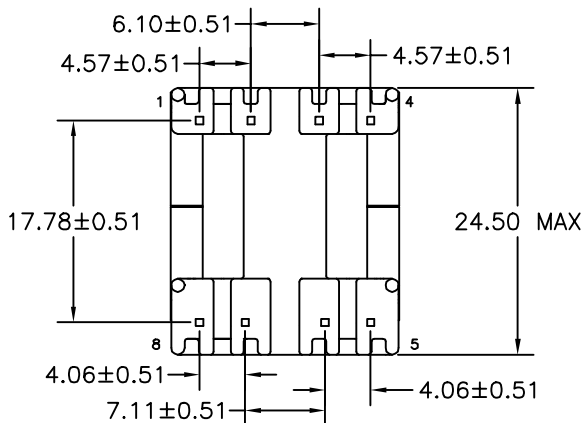
C

C

NOTE:  
 POLARITY SHOWN IS FOR THE  
 TRANSFORMER. FOR CORRECT  
 FLYBACK OPERATION CONNECT  
 B+ TO PIN 1.

D

D



E

E

#### ELECTRICAL SPECIFICATIONS

L @ 1kHz 10mA - (2-1) 730μH ±10%

LL @ 100kHz 10mA - (2-1) 27μH MAX  
 (WITH 3-7 SHORTED)

URNS RATIO - ±3%

N1:N2 - 1:0.353

N1:N3 - 1:0.129

DCR - OHMS MAX

N1 - 1.63

N2 - 0.255

N3 - 1.01

HIPOT - 4000VAC 1SEC

N1,N3 TO N2

F

F

G

G

H

H

REVISION		DATE	MARKINGS	LOCATION
0	PRELIMINARY	03/08/05	CRAMER DATE CODE CVP 30-022	PIN RAIL SIDE OF CORE
A	RELEASED	03/10/05	DESCRIPTION 13 VA LED DRIVER FLYBACK	TOLERANCE UNLESS OTHERWISE SPECIFIED 2 PLACE DECIMALS ±.010 3 PLACE DECIMALS ±.005 FRACTIONS ±1/64 ANGLES ±1/2°
B	ASSIGN LL AND DCR TOLERANCES	09/18/06	CUSTOMER	
			G:\DATA\SPECS\ENG\CVP\30-022	CUSTOMER PART NUMBER
			DR. MEC	DATE 03/08/05
			APPD. JDB	DATE 03/10/05
				CRAMER PART NUMBER CVP 30-022
				REV B

J

J

1

2

3

4

5

6