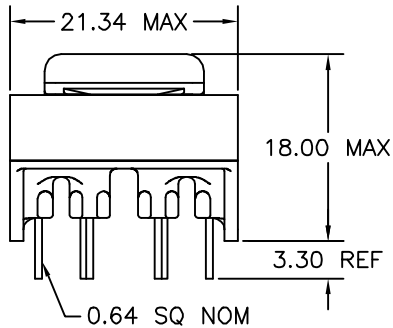
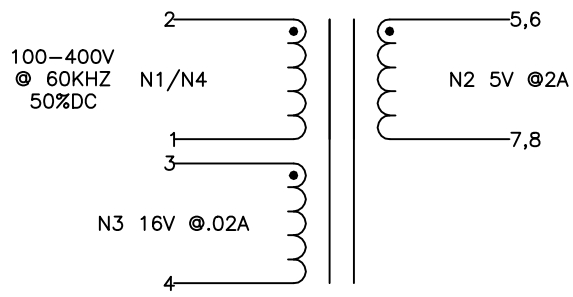


1 2 3 4 5 6

A



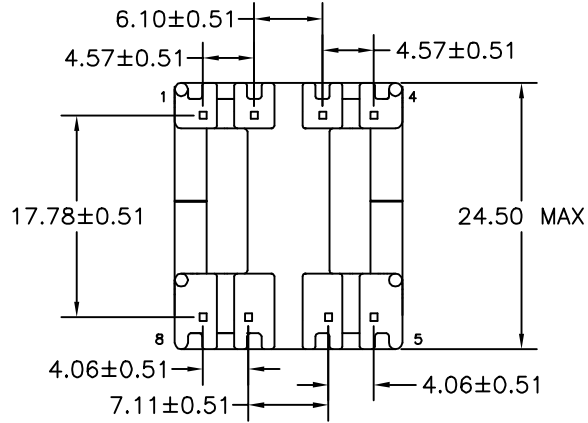
B



C

NOTE:  
POLARITY SHOWN IS FOR THE  
TRANSFORMER. FOR CORRECT  
FLYBACK OPERATION CONNECT  
B+ TO PIN 1.

D



E

**ELECTRICAL SPECIFICATIONS**

L @ 1kHz 10mA - (2-1) 2.25mH ±15%  
 LL @ 100kHz 10mA - (2-1) 38µH MAX  
 (WITH 3-8 SHORTED)  
 TURNS RATIO - ±3%  
 N1/N4:N2 - 1:0.053  
 N1/N4:N3 - 1:0.167

DCR - OHMS MAX  
 N1/N4 - 3.00  
 N2 - 0.024  
 N3 - 1.40

HIPOT - 5500VAC 1SEC  
 N1,N3,N4 TO N2

NOTE:  
MEETS CONSTRUCTION FOR:  
UL 1310, 1950, 1411  
IEC 61558-1, 2-17, EN60950

F

G

H

REVISION		DATE	MARKINGS	LOCATION
A	RELEASED	04/23/03	CRAMER DATE CODE CVP 32-006	PIN RAIL SIDE OF CORE
B	CONVERTED DIMENSIONS TO METRIC	01/27/05	DESCRIPTION 5V, 10VA VIPER 22 TRANSFORMER	TOLERANCE UNLESS OTHERWISE SPECIFIED 2 PLACE DECIMALS ±.010 3 PLACE DECIMALS ±.005 FRACTIONS ±1/64 ANGLES ±1/2° PROPRIETARY INFORMATION PROPERTY OF CRAMER COIL & TRANSFORMER CO. DUPLICATION AND/OR DISTRIBUTION BY PERMISSION ONLY
C	ASSIGN LL AND DCR TOLERANCES	03/06/06	CUSTOMER	
			G:\DATA\SPECS\ENG\CVP\32-006	CUSTOMER PART NUMBER
			DR. NJW	REV
			DATE 04/23/03	CRAMER PART NUMBER
			APPD. JDB	CVP 32-006
			DATE 04/25/03	REV C

J

1 2 3 4 5 6