

1

2

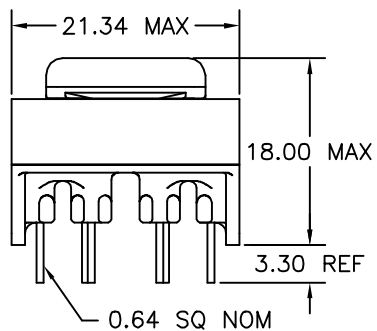
3

4

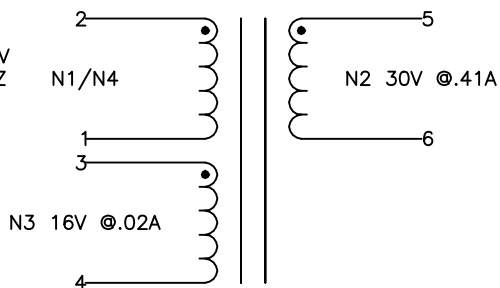
5

6

A



100-400V
 @ 60KHZ
 50%DC



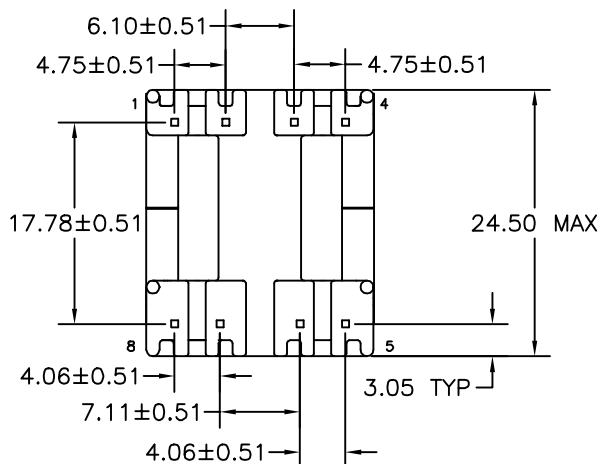
A

B

B

C

C



D

D

E

E

ELECTRICAL SPECIFICATIONS

L @ 1kHz 10mA - (2-1) 2.25mH ±15%

LL @ 100kHz 10mA - (2-1) 18.3µH TYP, TOL TBD
 (WITH 3-6 SHORTED)

URNS RATIO - ±3%
 N1/N4:N2 - 1:0.307
 N1/N4:N3 - 1:0.167

DCR - OHMS TYP, TOL TBD
 N1/N4 - 2.86
 N2 - 0.341
 N3 - 1.30

HIPOT - 5500VAC 1SEC
 N1,N3,N4 TO N2

F

F

G

G

H

H

REVISION		DATE	MARKINGS	LOCATION
A	RELEASED	04/10/06	CRAMER DATE CODE CVP 32-010	PIN RAIL SIDE OF CORE
			DESCRIPTION 13V, 60KHZ VIPER 22 XFMR	TOLERANCE UNLESS OTHERWISE SPECIFIED 2 PLACE DECIMALS ±.010 3 PLACE DECIMALS ±.005 FRACTIONS ±1/64 ANGLES ±1/2°
			CUSTOMER	
			G:\DATA\SPECS\ENG\CVP\32-010	CUSTOMER PART NUMBER
			DR. MEC	DATE 04/10/06
			APPD. MJA	DATE 04/11/06
				CRAMER PART NUMBER CVP 32-010
				REV A

I

I

J

J

1

2

3

4

5

6