

1

2

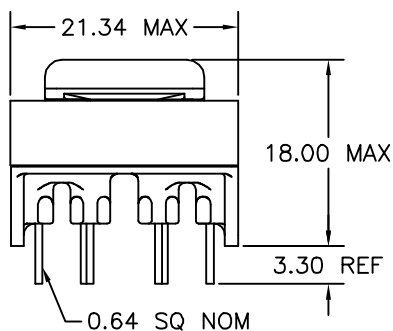
3

4

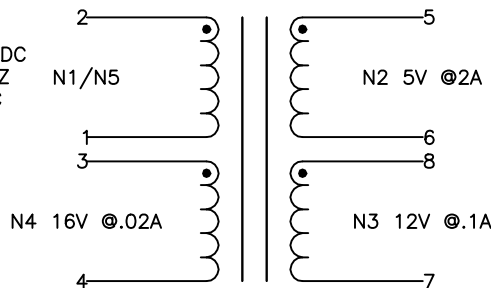
5

6

A



100-400VDC
 @ 60KHZ
 50% DC



A

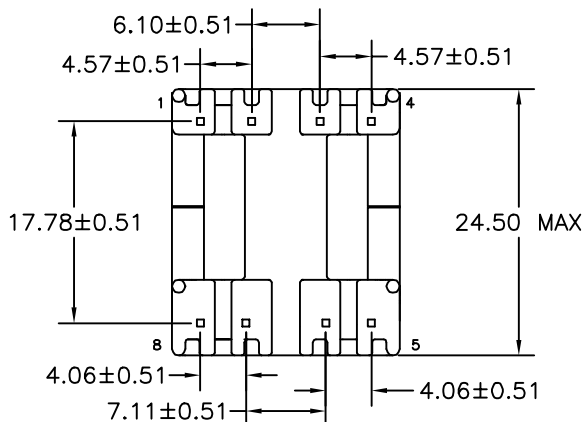
B

B

C

NOTE:
 POLARITY SHOWN IS FOR THE
 TRANSFORMER. FOR CORRECT
 FLYBACK OPERATION, CONNECT
 B+ TO PIN 1.

C



D

D

E

E

ELECTRICAL SPECIFICATIONS

L @ 1kHz 10mA - (2-1) 2.25mH ±10%

LL @ 100kHz 10mA - (2-1) 20.3µH TYP, TOL TBD
 (WITH 3-8 SHORTED)

URNS RATIO - ±3%
 N1/N5:N2 - 1:0.052
 N1/N5:N3 - 1:0.127
 N1/N5:N4 - 1:0.164

DCR - OHMS TYP, TOL TBD
 N1/N5 - 1.65
 N2 - 0.014
 N3 - 0.461
 N4 - 0.611

HIPOT - 1200VAC 1SEC
 N1,N4,N5 TO N2,N3

F

F

G

G

H

H

REVISION		DATE	MARKINGS CRAMER DATE CODE CVP 32-013	LOCATION PIN RAIL SIDE OF CORE
A	RELEASED	09/20/06	DESCRIPTION 13 VA 60 KHZ FLYBACK XFMR	TOLERANCE UNLESS OTHERWISE SPECIFIED 2 PLACE DECIMALS ±.010 3 PLACE DECIMALS ±.005 FRACTIONS ±1/64 ANGLES ±1/2° PROPRIETARY INFORMATION PROPERTY OF CRAMER COIL & TRANSFORMER CO. DUPLICATION AND/OR DISTRIBUTION BY PERMISSION ONLY
			CUSTOMER	
			G:\DATA\SPECS\ENG\CVP\32-013	CUSTOMER PART NUMBER
			DR. MEC	REV
			DATE 09/20/06	CRAMER PART NUMBER
			APPD. MJA	CVP 32-013
			DATE 09/20/06	REV A

1

2

3

4

5

6

J

J