

1

2

3

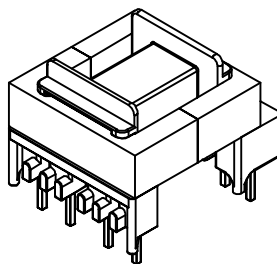
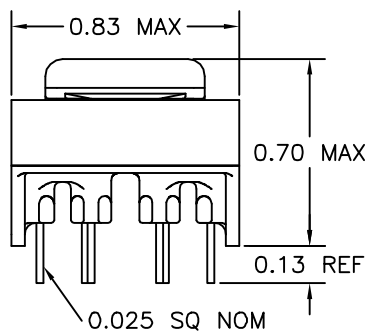
4

5

6

A

A

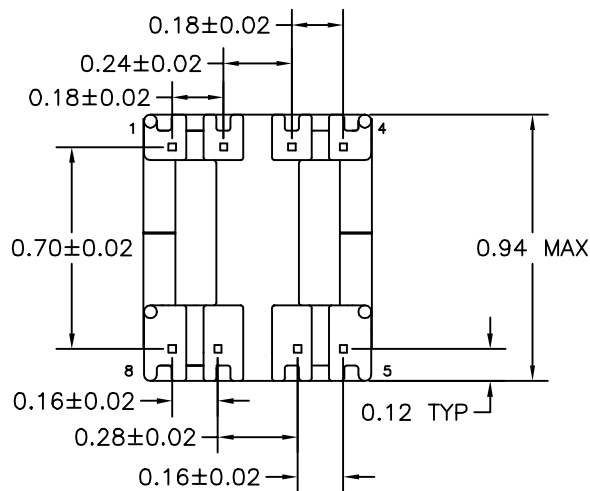


B

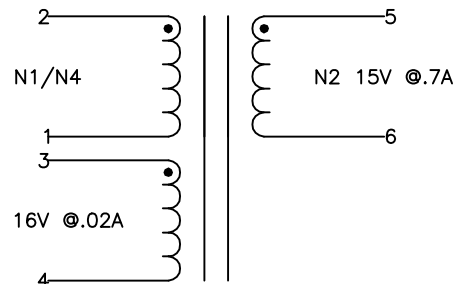
B

C

C



100-400V
@60KHZ
50%DC



NOTE:
POLARITY SHOWN IS FOR THE
TRANSFORMER. FOR CORRECT
FLYBACK OPERATION CONNECT
B+ TO PIN 1.

D

D

E

E

ELECTRICAL SPECIFICATIONS

L @ 1kHz 10mA - (2-1) 2.25mH ±15%

LL @ 100kHz 10mA - (2-1) 18.9µH TYP, TOL TBD
(WITH 3-6 SHORTED)

TURN RATIO ±3%

N1/N4:N2 - 1:0.153

N1/N4:N3 - 1:0.167

DCR - OHMS TYP, TOL TBD

N1/N4 - 2.97

N2 - 0.089

N3 - 0.130

HIPOT - 5500VAC 1SEC

N1,N3,N4 TO N2

NOTE:
MEETS CONSTRUCTION FOR:
UL 1310, 1950, 1411
IEC 61558-1, 2-17, EN60950

F

F

G

G

H

H

REVISION		DATE	MARKINGS	LOCATION	
A	RELEASED	03/24/03	CRAMER DATE CODE CVP 32-005	PIN RAIL SIDE OF CORE	
			DESCRIPTION	TOLERANCE UNLESS OTHERWISE SPECIFIED	PROPRIETARY INFORMATION
			15V, 10VA VIPER 22 TRANSFORMER	2 PLACE DECIMALS ±.010 3 PLACE DECIMALS ±.005 FRACTIONS ±1/64 ANGLES ±1/2°	PROPERTY OF CRAMER COIL & TRANSFORMER CO. DUPLICATION AND/OR DISTRIBUTION BY PERMISSION ONLY
			CUSTOMER		
			G:\DATA\SPECS\ENGCVP\32-005	CUSTOMER PART NUMBER	REV
			DR. NJW	DATE 03/24/03	CRAMER PART NUMBER CVP 32-005 REV A
			APPD. JDB	DATE 03/27/03	

1

2

3

4

5

6

J

J