

1

2

3

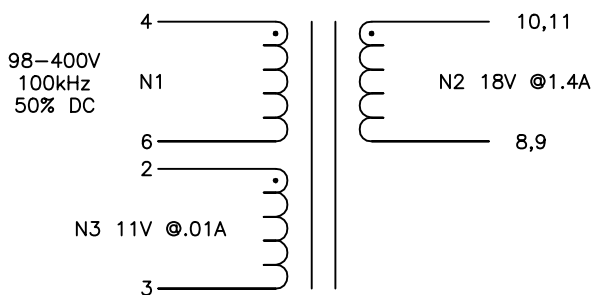
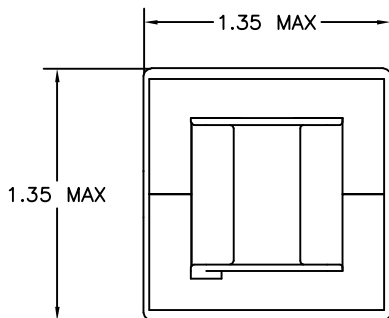
4

5

6

A

A

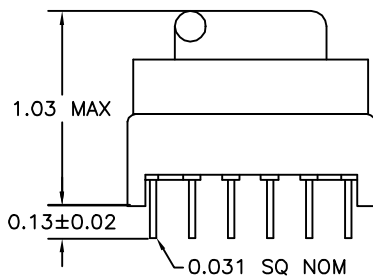


B

B

C

C

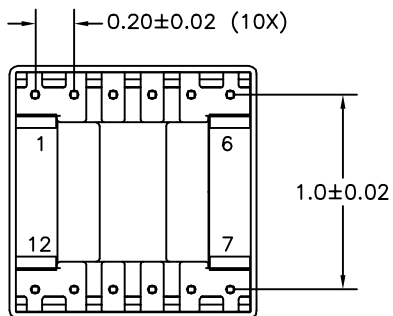


D

D

E

E



F

F

ELECTRICAL SPECIFICATIONS

L @ 1kHz .1V - (4-6) 361µH ±10%

LL @ 100kHz .1V - (4-6) 4.2µH TYP, TOL TBD (WITH 2,3,8-11 SHORTED)

URNS RATIO - ±3%

N1:N2 - 1:0.195

N1:N3 - 1:0.122

DCR - OHMS TYP, TOL TBD

N1 - 0.218

N2 - 0.022

N3 - 0.034

HIPOT - 3750VAC 1MIN OR 4000VAC 1SEC

N1,N3 TO N2

G

G

H

H

REVISION		DATE	MARKINGS CRAMER EIA DATE CODE CVP 45-001	LOCATION PIN RAIL SIDE OF CORE	
A	RELEASED	10/27/99	DESCRIPTION 25 VA BIAS FLYBACK TRANSFORMER	TOLERANCE UNLESS OTHERWISE SPECIFIED 2 PLACE DECIMALS ±0.010 3 PLACE DECIMALS ±0.005 FRACTIONS ±1/64 ANGLES ±1/2	PROPRIETARY INFORMATION PROPERTY OF CRAMER COIL & TRANSFORMER CO. DUPLICATION AND/OR DISTRIBUTION BY PERMISSION ONLY
B	PART NUMBER WAS CSM 3015-104	11/30/99			
C	ADDED VOLTAGES TO SCHEMATIC & REMOVED OLD BOBBIN	07/30/01			
D	CHANGED CUSTOMER TO CRAMER STANDARD	09/27/02			
PAGE 1 OF 1					
G:\DATA\SPECS\ENG\CVP\45-001					
DR. NJW			DATE 10/27/99	CUSTOMER PART NUMBER	REV
APPD. JDB			DATE 10/27/99	CVP 45-001	D

J

J

1

2

3

4

5

6