

1

2

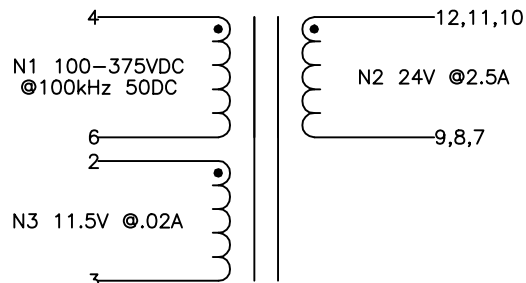
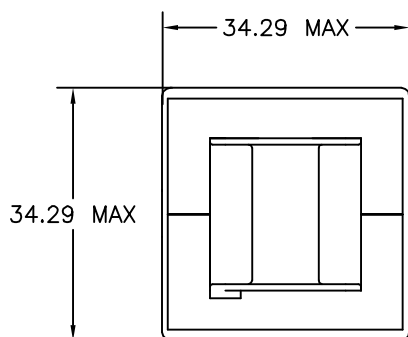
3

4

5

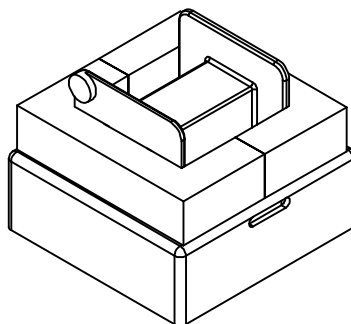
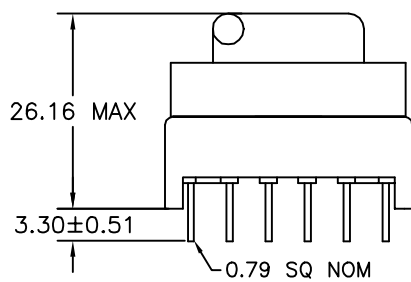
6

A



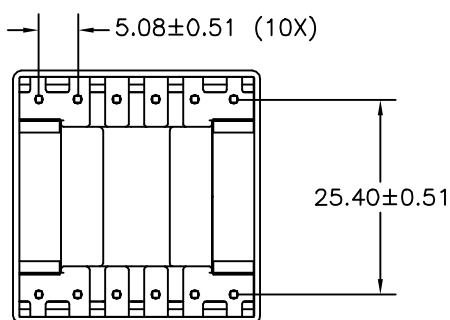
B

C



D

E



F

G

H

ELECTRICAL SPECIFICATIONSL @ 1kHz 10mA - (4-6) 200 μ H \pm 10%LL @ 100kHz 10mA - (4-6) 5.4 μ H TYP, TOL TBD
(WITH 2,3,7-12 SHORTED)TURNS RATIO - \pm 3%

N1:N2 - 1:0.25

N1:N3 - 1:0.125

DCR - OHMS TYP, TOL TBD

N1 - 0.078

N2 - 0.022

N3 - 0.099

HIPOT - 3750VAC 1MIN OR 4000VAC 1SEC
N1,N3 TO N2

I

J

REVISION		DATE	MARKINGS	LOCATION
A	RELEASED	03/09/01	CRAMER EIA DATE CODE CVP 45-003	PIN RAIL SIDE OF CORE
B	UPDATE ELECTRICALS	05/02/01	DESCRIPTION 63 VA VIPER 100 FLYBACK XFMR	TOLERANCE UNLESS OTHERWISE SPECIFIED 2 PLACE DECIMALS \pm .010 3 PLACE DECIMALS \pm .005 FRACTIONS \pm 1/64 ANGLES \pm 1/2°
C	L WAS 130 μ H	06/11/01	CUSTOMER	PROPRIETARY INFORMATION PROPERTY OF CRAMER COIL & TRANSFORMER CO. DUPLICATION AND/OR DISTRIBUTION BY PERMISSION ONLY
D	UPDATED CUSTOMER NAME	10/14/03		
E	CONVERTED DIMENSIONS TO METRIC	07/14/04		
			G:\DATA\SPECS\ENG\CVP\45-003	CUSTOMER PART NUMBER
			DR. MEC	DATE 03/09/01
			APPD. JDB	DATE 03/12/01
				CRAMER PART NUMBER CVP 45-003
				REV E

1

2

3

4

5

6

A

B

C

D

E

F

G

H

I

J