

1

2

3

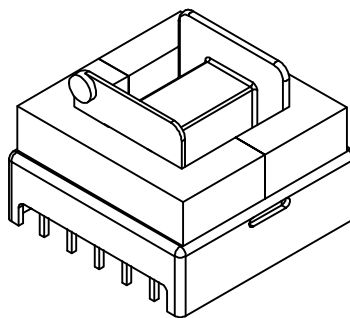
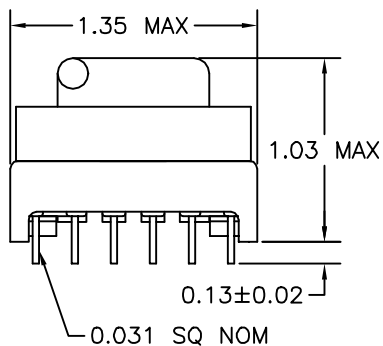
4

5

6

A

A

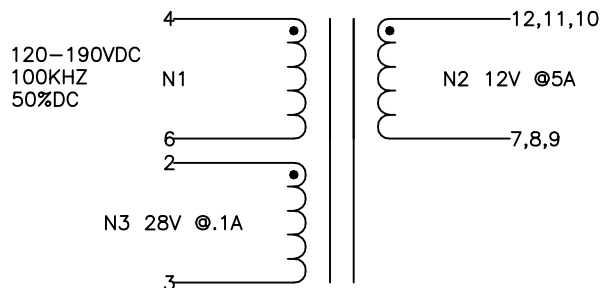
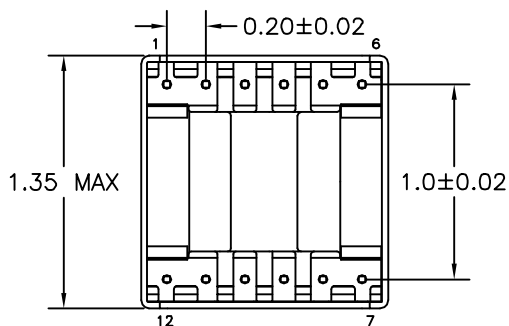


B

B

C

C



D

D

E

E

ELECTRICAL SPECIFICATIONS

L @ 1kHz 10mA - (4-6) 200µH ±10%

LL @ 100kHz 10mA - (4-6) 9µH TYP, TOL TBD
(2,3,7-12 SHORTED)

URNS RATIO - ±3%
N1:N2 - 1:0.111
N1:N3 - 1:0.244

DCR - OHMS TYP, TOL TBD
N1 - 0.089
N2 - 0.005
N3 - 0.214

HIPOT - 1500VAC 1MIN OR 1800VAC 1SEC
N1,N3 TO N2

F

F

G

G

H

H

REVISION		DATE	MARKINGS CRAMER EIA DATE CODE CVP 45-005	LOCATION PIN RAIL SIDE OF CORE	
A	RELEASED	07/30/01			
			DESCRIPTION 63 VA BATTERY CHARGER XFMR	TOLERANCE UNLESS OTHERWISE SPECIFIED 2 PLACE DECIMALS ±.010 3 PLACE DECIMALS ±.005 FRACTIONS ±1/64 ANGLES ±1/2°	PROPRIETARY INFORMATION PROPERTY OF CRAMER COIL & TRANSFORMER CO. DUPLICATION AND/OR DISTRIBUTION BY PERMISSION ONLY
			CUSTOMER		
			G:\DATA\SPECS\ENG\CVP\45-005	CUSTOMER PART NUMBER	REV
			DR. MEC	DATE 07/30/01	
			APPD. MJA	DATE 08/01/01	
				CRAMER PART NUMBER CVP 45-005	REV A

J

J

1

2

3

4

5

6