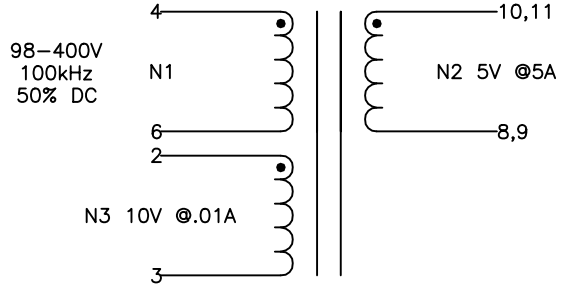
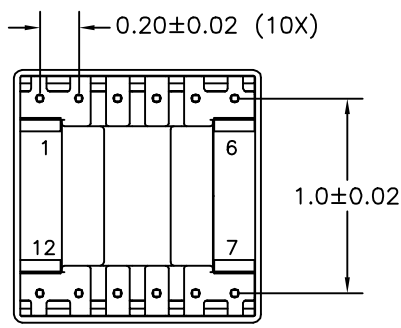
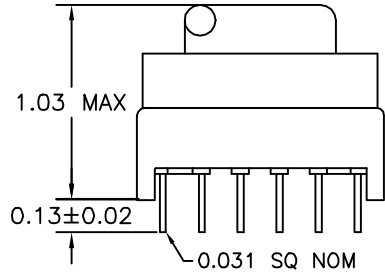
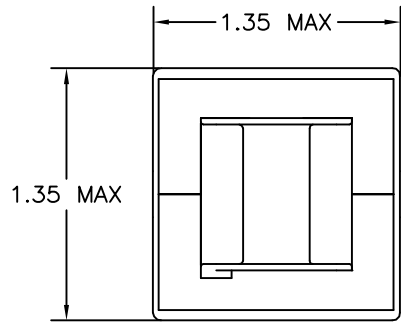


1 2 3 4 5 6

A  
B  
C  
D  
E  
F  
G  
H  
I  
J

A  
B  
C  
D  
E  
F  
G  
H  
I  
J



**ELECTRICAL SPECIFICATIONS**  
 L @ 1kHz .1V - (4-6) 361μH ±10%  
 LL @ 100kHz .1V - (4-6) 10.7μH TYP, TOL TBD  
 (WITH 2,3,8-11 SHORTED)  
 TURNS RATIO - ±3%  
 N1:N2 - 1:0.049  
 N1:N3 - 1:0.098  
 DCR - OHMS TYP, TOL TBD  
 N1 - 0.322  
 N2 - 0.003  
 N3 - 0.050  
 HIPOT - 3750VAC 1MIN OR 4000VAC 1SEC  
 N1,N3 TO N2

| REVISION |   | DATE     | MARKINGS                               | LOCATION   |
|----------|---|----------|--|--|
| A        | RELEASED  | 12/20/01 | CRAMER EIA DATE CODE<br>CVP 45-006     | PIN RAIL SIDE OF CORE  |
| B        | N3 TURNS RATIO WAS 1:0.122<br>UPDATED ELECTRICALS | 01/08/02 | DESCRIPTION<br>27 VA BIAS FLYBACK XFMR | TOLERANCE UNLESS OTHERWISE SPECIFIED<br>2 PLACE DECIMALS ±.010<br>3 PLACE DECIMALS ±.005<br>FRACTIONS ±1/64<br>ANGLES ±1/2°      |
|          |   |          | CUSTOMER                               | PROPRIETARY INFORMATION<br>PROPERTY OF<br>CRAMER COIL & TRANSFORMER CO.<br>DUPLICATION AND/OR DISTRIBUTION<br>BY PERMISSION ONLY |
|          |   |          | G:\DATA\SPECS\ENG\CVP\45-006           | CUSTOMER PART NUMBER   |
|          |   |          | DR. MEC                                | REV  |
|          |   |          | DATE 12/20/01                          | CRAMER PART NUMBER   |
|          |   |          | APPD. JDB                              | REV B  |
|          |   |          | DATE 12/21/01                          | CVP 45-006   |

1 2 3 4 5 6