

1

2

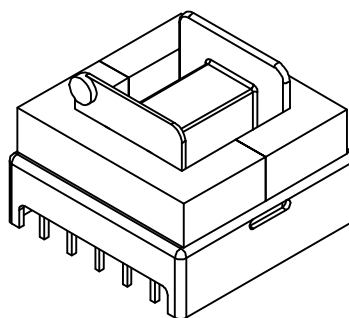
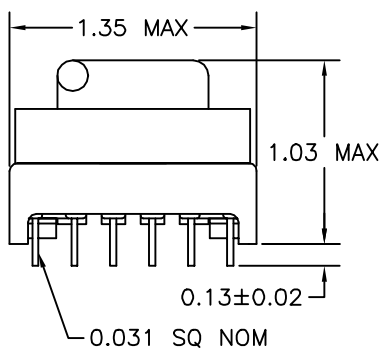
3

4

5

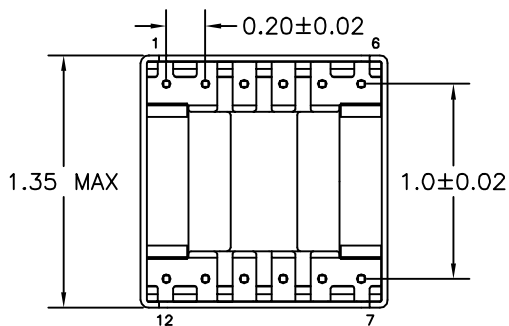
6

A



B

C



D

E

ELECTRICAL SPECIFICATIONS

L @ 1kHz 10mA - (6-4) 600μH ±10%

LL @ 100kHz 10mA - (6-4) 5.7μH TYP, TOL TBD (WITH 1,2,7-12 SHORTED)

URNS RATIO - ±3%

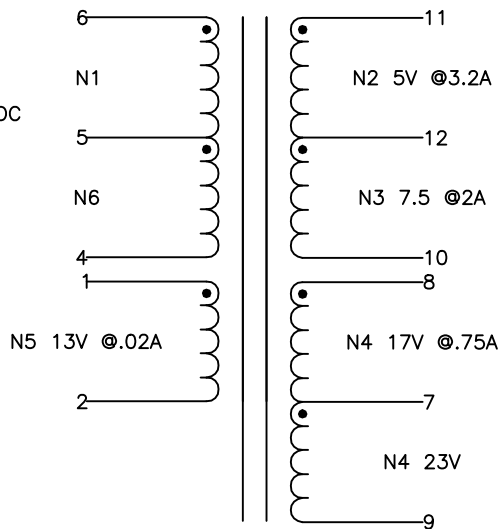
- 6-4:11-12 - 1:0.056
- 6-4:11-10 - 1:0.083
- 6-4:8-7 - 1:0.181
- 6-4:8-9 - 1:0.236
- 6-4:1-2 - 1:0.139

DCR - OHMS TYP, TOL TBD

- 6-4 - 0.500
- 11-12 - 0.032
- 11-10 - 0.045
- 8-7 - 0.094
- 8-9 - 0.129
- 1-2 - 0.154

HIPOT - 4000VAC 1SEC
N1,N5,N6 TO N2,N3,N4

100-400VDC
@ 100KHZ
50% DC



NOTE:
POLARITY SHOWN IS FOR THE
TRANSFORMER. FOR CORRECT
FLYBACK OPERATION CONNECT
B+ TO PIN 4.

F

G

H

REVISION		DATE	MARKINGS	LOCATION
A	RELEASED	09/10/02	CARMER EIA DATE CODE CVP 45-007	PIN RAIL SIDE OF CORE
			DESCRIPTION	TOLERANCE UNLESS OTHERWISE SPECIFIED 2 PLACE DECIMALS ±.010 3 PLACE DECIMALS ±.005 FRACTIONS ±1/64 ANGLES ±1/2°
			48 VA FLYBACK XFMR	
			CUSTOMER	PROPRIETARY INFORMATION PROPERTY OF CRAMER COIL & TRANSFORMER CO. DUPLICATION AND/OR DISTRIBUTION BY PERMISSION ONLY
			G:\DATA\SPECS\ENG\CVP\45-007	CUSTOMER PART NUMBER
			DR. MEC	REV
			DATE 09/10/02	
			APPD. JDB	CRAMER PART NUMBER
			DATE 09/11/02	CVP 45-007
				REV A

1

2

3

4

5

6

A

B

C

D

E

F

G

H

I

J