

1

2

3

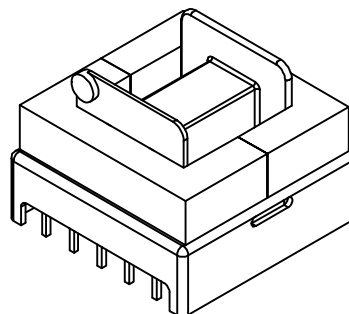
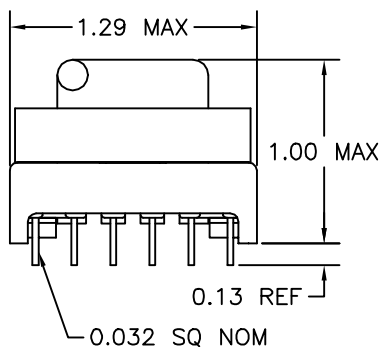
4

5

6

A

A

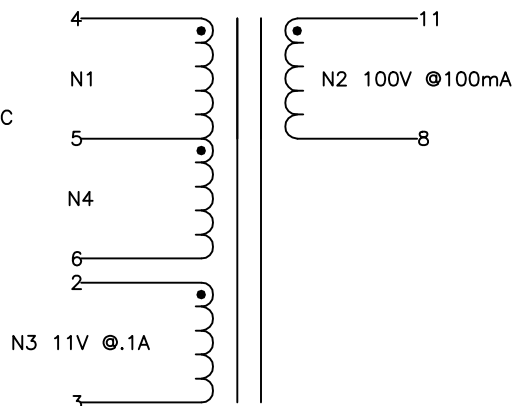
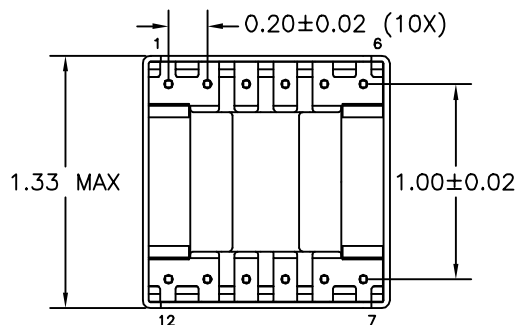


B

B

C

C



120-375VDC
@ 50KHZ
50% DC

D

D

E

E

ELECTRICAL SPECIFICATIONS

L @ 1kHz 10mA - (4-6) 3.40mH ±10%

LL @ 100kHz 10mA - (4-6) 27.9µH TYP, TOL TBD
(WITH 2,3,8&11 SHORTED)

URNS RATIO - ±3%

N1/N4:N2 - 1:0.60

N1/N4:N3 - 1:0.07

DCR - OHMS TYP, TOL TBD

N1/N4 - 6.21

N2 - 3.63

N3 - 0.465

HIPOT - 2500VAC 1MIN OR 3000VAC 1SEC

N1,N3,N4 TO N2

NOTE:

POLARITY SHOWN IS FOR THE
TRANSFORMER. FOR CORRECT
FLYBACK OPERATION CONNECT
B+ TO PIN 6.

F

F

G

G

H

H

REVISION		DATE	MARKINGS	LOCATION	
A	RELEASED	10/16/02	CRAMER EIA DATE CODE CVP 45-009	PIN RAIL SIDE OF CORE	
B	N3 RATIO WAS 0.119, V OUT WAS 70, LL WAS 26.8µH, N3 DCR WAS 0.795 & UPDATED HIPOT	12/18/02	DESCRIPTION 7.3 VIPER FLYBACK TRANSFORMER	TOLERANCE UNLESS OTHERWISE SPECIFIED 2 PLACE DECIMALS ±.010 3 PLACE DECIMALS ±.005 FRACTIONS ±1/64 ANGLES ±1/2°	PROPRIETARY INFORMATION PROPERTY OF CRAMER COIL & TRANSFORMER CO. DUPLICATION AND/OR DISTRIBUTION BY PERMISSION ONLY
			CUSTOMER		
			G:\DATA\SPECS\ENG\CVP\45-009	CUSTOMER PART NUMBER	REV
			DR. NJW	DATE 10/06/02	CRAMER PART NUMBER CVP 45-009
			APPD. MJA	DATE 10/21/02	

1

2

3

4

5

6

J

J