

1

2

3

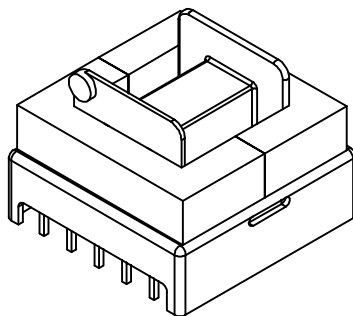
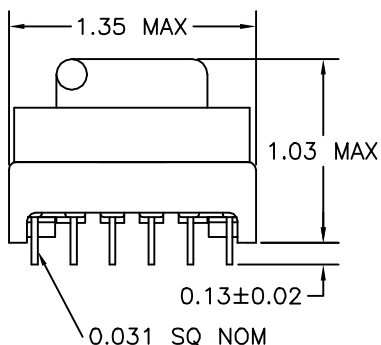
4

5

6

A

A

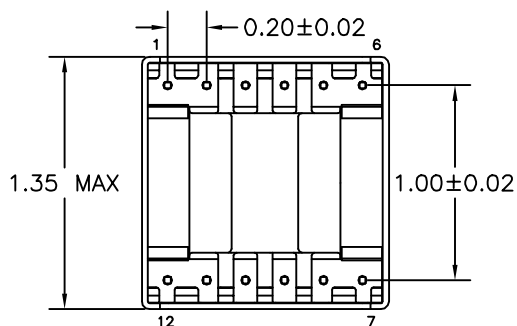


B

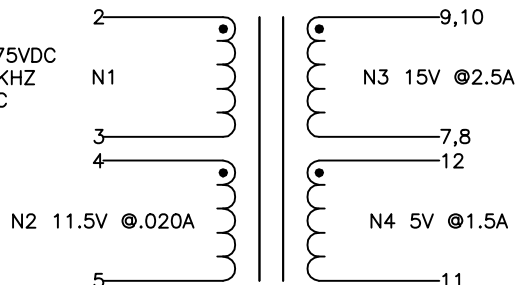
B

C

C



120-375VDC  
 @ 100KHZ  
 49% DC



D

D

E

E

NOTE:  
 POLARITY SHOWN IS FOR THE  
 TRANSFORMER. FOR CORRECT  
 FLYBACK OPERATION CONNECT  
 B+ TO PIN 3.

**ELECTRICAL SPECIFICATIONS**

L @ 1kHz 10mA - (2-3) 289µH ±10%

LL @ 100kHz 10mA - (2-3) 5.15µH TYP, TOL TBD  
 (WITH 4-12 SHORTED)

URNS RATIO - ±3%

- N1:N2 - 1:0.111
- N1:N3 - 1:0.133
- N1:N4 - 1:0.044

DCR - OHMS TYP, TOL TBD

- N1 - 0.295
- N2 - 0.041
- N3 - 0.010
- N4 - 0.006

HIPOT - 3000VAC 1MIN OR 3600VAC 1SEC  
 N1,N2 TO N3,N4

F

F

G

G

H

H

REVISION		DATE	MARKINGS	LOCATION
0	PRELIMINARY	07/16/03	CRAMER DATE CODE CVP 45-010	PIN RAIL SIDE OF CORE
A	RELEASED	07/18/03	DESCRIPTION 48 VA 100 KHZ VIPER 100 XFMR	TOLERANCE UNLESS OTHERWISE SPECIFIED 2 PLACE DECIMALS ±.010 3 PLACE DECIMALS ±.005 FRACTIONS ±1/64 ANGLES ±1/2°
			CUSTOMER	PROPRIETARY INFORMATION PROPERTY OF CRAMER COIL & TRANSFORMER CO. DUPLICATION AND/OR DISTRIBUTION BY PERMISSION ONLY
			DR. MEC	DATE 07/16/03
			APPD. MJA	DATE 07/16/03
			CUSTOMER PART NUMBER	REV
			CRAMER PART NUMBER CVP 45-010	REV A

J

J

1

2

3

4

5

6