

1

2

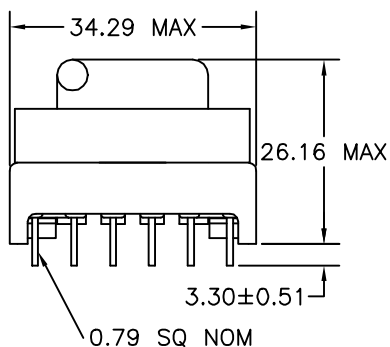
3

4

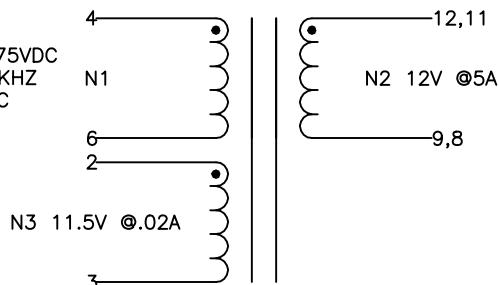
5

6

A



100-375VDC
 @ 100KHZ
 50% DC



A

B

B

C

C

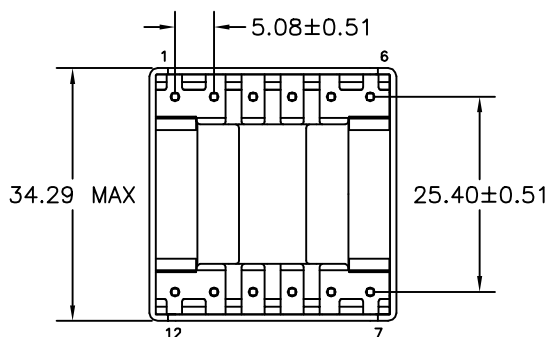
NOTE:
 POLARITY SHOWN IS FOR THE
 TRANSFORMER. FOR CORRECT
 FLYBACK OPERATION CONNECT
 B+ TO PIN 6.

THE FOLLOWING PINS ARE SHORTED
 ON THE CUSTOMER'S BOARD:

8 AND 9
 11 AND 12

D

D



E

E

ELECTRICAL SPECIFICATIONS

L @ 1kHz 10mA - (4-6) 200µH ±10%

LL @ 100kHz 10mA - (4-6) 10.2µH MAX
 (WITH 2,3,8-12 SHORTED)

URNS RATIO - ±3%
 N1:N2 - 1:0.118
 N1:N3 - 1:0.118

DCR - OHMS MAX
 N1 - 0.079
 N2 - 0.003
 N3 - 0.166

HIPOT - 3750VAC 1MIN OR 4000VAC 1SEC
 N1,N3 TO N2

F

F

G

G

H

H

REVISION		DATE	MARKINGS	LOCATION	
A	RELEASED	03/18/04	CRAMER DATE CODE CVP 45-011	PIN RAIL SIDE OF CORE	
B	ASSIGN LL AND DCR TOLERANCES	06/10/05	DESCRIPTION 66 VA VIPER 100 FLYBACK XFMR	TOLERANCE UNLESS OTHERWISE SPECIFIED 2 PLACE DECIMALS ±.010 3 PLACE DECIMALS ±.005 FRACTIONS ±1/64 ANGLES ±1/2°	
			CUSTOMER	PROPRIETARY INFORMATION PROPERTY OF CRAMER COIL & TRANSFORMER CO. DUPLICATION AND/OR DISTRIBUTION BY PERMISSION ONLY	
					G:\DATA\SPECS\ENG\CVP\45-011
			DR. MEC	DATE 03/18/04	REV
			APPD. MJA	DATE 03/23/04	CRAMER PART NUMBER CVP 45-011
					REV B

J

J

1

2

3

4

5

6