

1

2

3

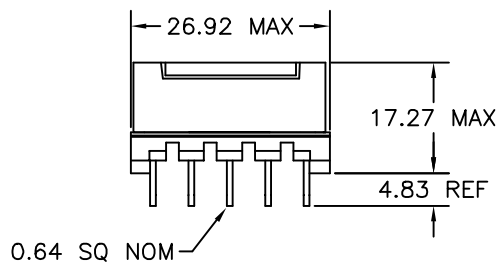
4

5

6

A

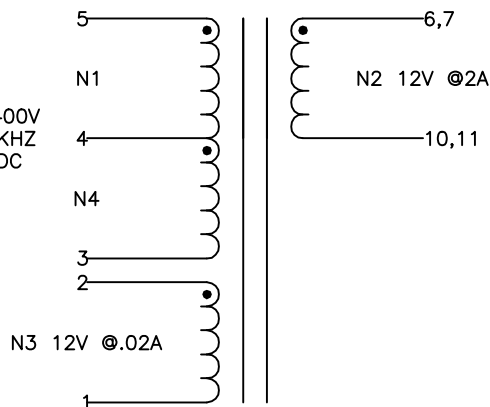
A



B

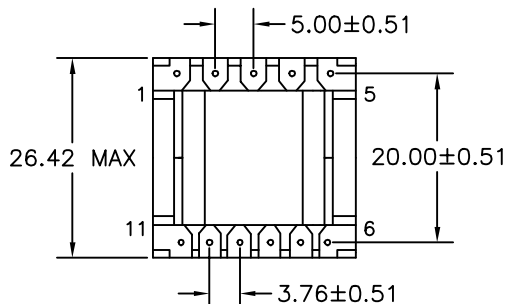
B

100-400V
 @100KHZ
 50%DC



C

C



D

D

NOTE:
 POLARITY SHOWN IS FOR THE
 TRANSFORMER. FOR CORRECT
 FLYBACK OPERATION CONNECT
 B+ TO PIN 3.

E

E

ELECTRICAL SPECIFICATIONS

L @ 1kHz 10mA - (5-3) 1.10mH ±10%

LL @ 100kHz 10mA - (5-3) 6.90µH MAX
 (WITH 1,2,6-11 SHORTED)

TURNS RATIO - ±3%
 N1/N4:N2 - 1:0.121
 N1/N4:N3 - 1:0.121

DCR - OHMS MAX
 N1/N4 - 1.04
 N2 - 0.023
 N3 - 0.145

HIPOT - 4000VAC 1SEC
 N1,N3,N4 TO N2

NOTE:
 MEETS CONSTRUCTION FOR:
 UL 1310, 1950, 1411
 EN60950

F

F

G

G

H

H

REVISION		DATE	MARKINGS	LOCATION
O	PRELIMINARY	05/09/03	CRAMER DATE CODE CVP 53-001	PIN RAIL SIDE OF CORE
A	RELEASED	05/19/03	DESCRIPTION 12V 2A VIPER 53 FLYBACK TRANSFORMER	TOLERANCE UNLESS OTHERWISE SPECIFIED 2 PLACE DECIMALS ±.010 3 PLACE DECIMALS ±.005 FRACTIONS ±1/64 ANGLES ±1/2° PROPRIETARY INFORMATION PROPERTY OF CRAMER COIL & TRANSFORMER CO. DUPLICATION AND/OR DISTRIBUTION BY PERMISSION ONLY
B	PIN SIZE WAS 0.031 DIA NOM	05/22/03	CUSTOMER	
C	UPDATED PIN TO PIN & ROW TO ROW DIMENSIONS	07/01/03		
D	INSERTED NEW BOBBIN	03/22/04		
E	DCR/LL TOLERANCES (ECO 5124)	08/04/04	G:\DATA\SPECS\ENG\CVP\53-001	CUSTOMER PART NUMBER
			DR. NJW	REV
			DATE 05/09/03	CRAMER PART NUMBER
			APPD. JDB	CVP 53-001
			DATE 05/19/03	REV E

1

2

3

4

5

6

J

J