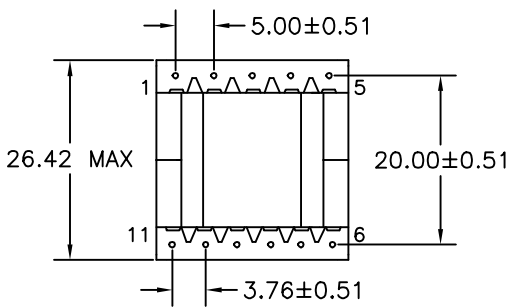
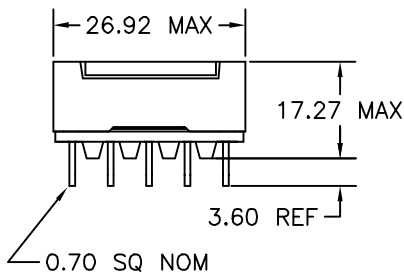


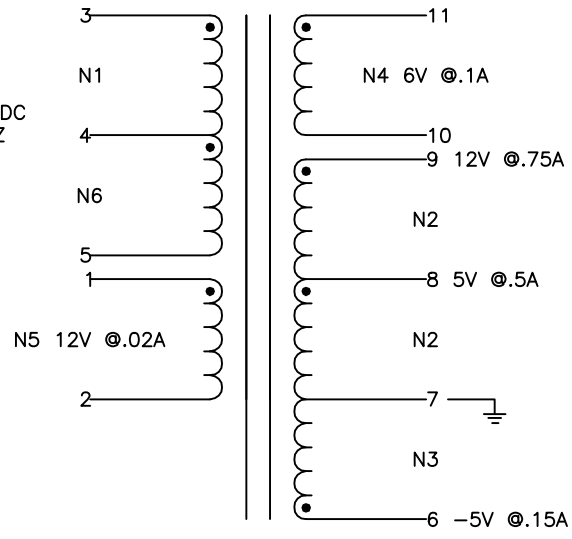
1 2 3 4 5 6

A
B
C
D
E
F
G
H
I
J

A
B
C
D
E
F
G
H
I
J



100-400VDC
@ 100KHZ
50% DC



ELECTRICAL SPECIFICATIONS

L @ 1kHz 10mA - (3-5) 2mH ±10%
LL @ 100kHz 10mA - (3-5) 13µH TYP, TOL TBD
(WITH 1,2,6-11 SHORTED)

URNS RATIO - ±3%
3-5:11-10 - 1:0.067
3-5:9-8 - 1:0.079
3-5:8-7 - 1:0.056
3-5:7-6 - 1:0.056
3-5:1-2 - 1:0.133

DCR - OHMS TYP, TOL TBD
1-2 - 0.572
3-5 - 3.99
6-7 - 0.066
7-9 - 0.158
10-11 - 0.080

HIPOT - 4000VAC 1SEC
N1,N5,N6 TO N2,N3,N4

REVISION		DATE	MARKINGS	LOCATION
A	RELEASED	01/21/04	CRAMER DATE CODE CVP 53-012	PIN RAIL SIDE OF CORE
B	UPDATED PIN LENGTH & PIN SIZE	05/10/05	DESCRIPTION MULTIPLE OUTPUT VIPER 53 FLYBACK XFMR	TOLERANCE UNLESS OTHERWISE SPECIFIED 2 PLACE DECIMALS ±.010 3 PLACE DECIMALS ±.005 FRACTIONS ±1/64 ANGLES ±1/2°
			CUSTOMER	PROPRIETARY INFORMATION PROPERTY OF CRAMER COIL & TRANSFORMER CO. DUPLICATION AND/OR DISTRIBUTION BY PERMISSION ONLY
			DR. MEC	DATE 01/21/04
			APPD. JDB	DATE 01/22/04
			CUSTOMER PART NUMBER	REV
			CRAMER PART NUMBER CVP 53-012	REV B

1 2 3 4 5 6