

1

2

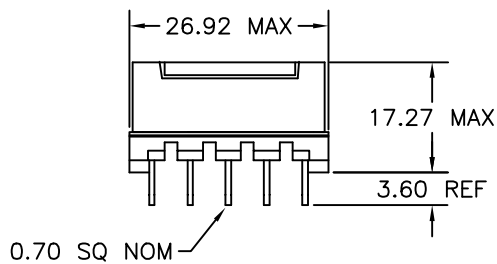
3

4

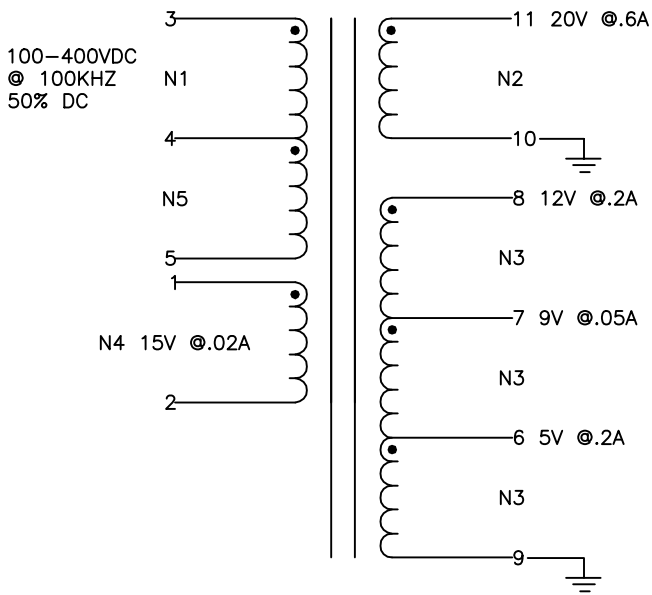
5

6

A

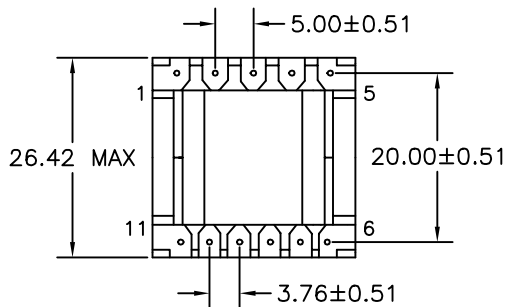


B



A

C



B

D

C

E

ELECTRICAL SPECIFICATIONS

L @ 1kHz 10mA - (3-5) 1.84mH ±10%

LL @ 100kHz 10mA - (3-5) 7.8µH TYP, TOL TBD
(WITH 1,2,6-11 SHORTED)

URNS RATIO - ±3%

- 3-5:11-10 - 1:0.221
- 3-5:8-7 - 1:0.035
- 3-5:7-6 - 1:0.047
- 3-5:6-9 - 1:0.058
- 3-5:1-2 - 1:0.163

DCR - OHMS TYP, TOL TBD

- N1/N5 - 1.18
- N2 - 0.260
- N3 - 0.195
- N4 - 0.205

HIPOT - 4000VAC 1SEC
N1,N4,N5 TO N2,N3

D

F

E

G

F

H

G

REVISION		DATE	MARKINGS	LOCATION
O	PRELIMINARY	04/06/04	CRAMER DATE CODE CVP 53-014	PIN RAIL SIDE OF CORE
A	RELEASED	04/07/04	DESCRIPTION 4 OUTPUT VIPER 53 XFMR	<div style="border: 1px solid black; padding: 2px;"> <p>TOLERANCE UNLESS OTHERWISE SPECIFIED 2 PLACE DECIMALS ±.010 3 PLACE DECIMALS ±.005 FRACTIONS ±1/64 ANGLES ±1/2°</p> </div> <p>PROPRIETARY INFORMATION PROPERTY OF CRAMER COIL & TRANSFORMER CO. DUPLICATION AND/OR DISTRIBUTION BY PERMISSION ONLY</p>
B	UPDATED PIN 8 AMPS (WAS .15)	03/23/05	CUSTOMER	
C	UPDATED PIN LENGTH & PIN SIZE	05/10/05		
			G:\DATA\SPECS\ENG\CVP\53-014	CUSTOMER PART NUMBER
			DR. MEC	DATE 04/06/04
			APPD. JDB	DATE 04/07/04
				CRAMER PART NUMBER CVP 53-014
				REV C

H

I

I

J

J

1

2

3

4

5

6