

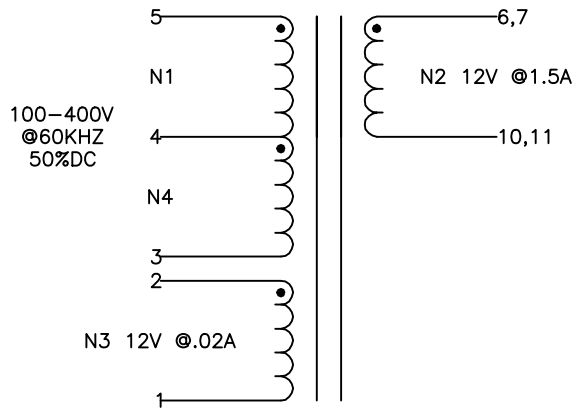
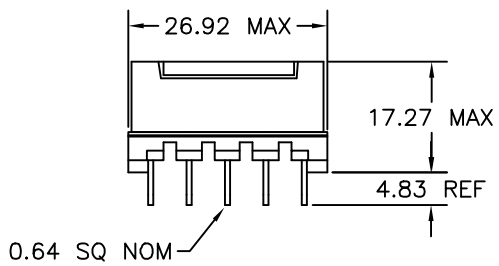
1 2 3 4 5 6

A

A

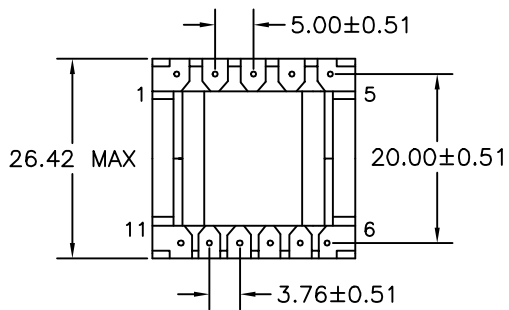
B

B



C

C



NOTE:
POLARITY SHOWN IS FOR THE
TRANSFORMER. FOR CORRECT
FLYBACK OPERATION, CONNECT
B+ TO PIN 3.

D

D

E

E

ELECTRICAL SPECIFICATIONS

L @ 1kHz 10mA - (5-3) 750µH ±10%

LL @ 100kHz 10mA - (5-3) 6.4µH TYP, TOL TBD
(WITH 1,2,6-11 SHORTED)

URNS RATIO - ±3%
N1/N4:N2 - 1:0.125
N1/N4:N3 - 1:0.125

DCR - OHMS MAX
N1/N4 - 0.613
N2 - 0.018
N3 - 0.085

HIPOT - 4000VAC 1SEC
N1,N3,N4 TO N2

F

F

G

G

H

H

REVISION		DATE	MARKINGS CRAMER DATE CODE CVP 53-017	LOCATION PIN RAIL SIDE OF CORE	
A	RELEASED	03/24/05	DESCRIPTION 12V 1.5A VIPER 32 FLYBACK	TOLERANCE UNLESS OTHERWISE SPECIFIED 2 PLACE DECIMALS ±.010 3 PLACE DECIMALS ±.005 FRACTIONS ±1/64 ANGLES ±1/2°	
			CUSTOMER	PROPRIETARY INFORMATION PROPERTY OF CRAMER COIL & TRANSFORMER CO. DUPLICATION AND/OR DISTRIBUTION BY PERMISSION ONLY	
			G:\DATA\SPECS\ENG\CVP\53-017	CUSTOMER PART NUMBER	REV
			DR. MEC	DATE 03/24/05	
			APPD. JDB	DATE 03/29/05	
				CRAMER PART NUMBER CVP 53-017	REV A

J

J

1 2 3 4 5 6