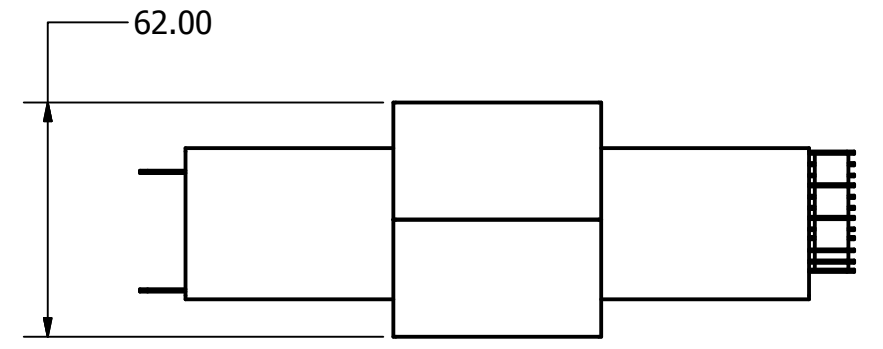
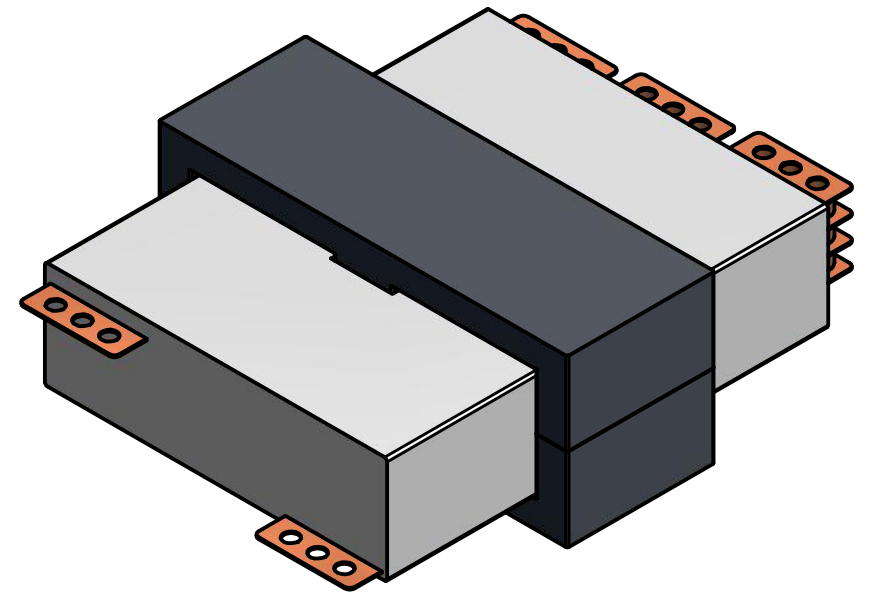
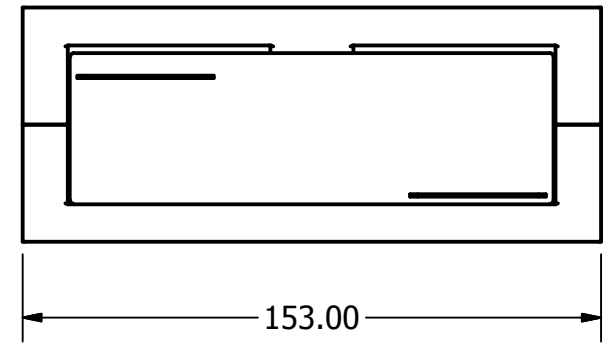
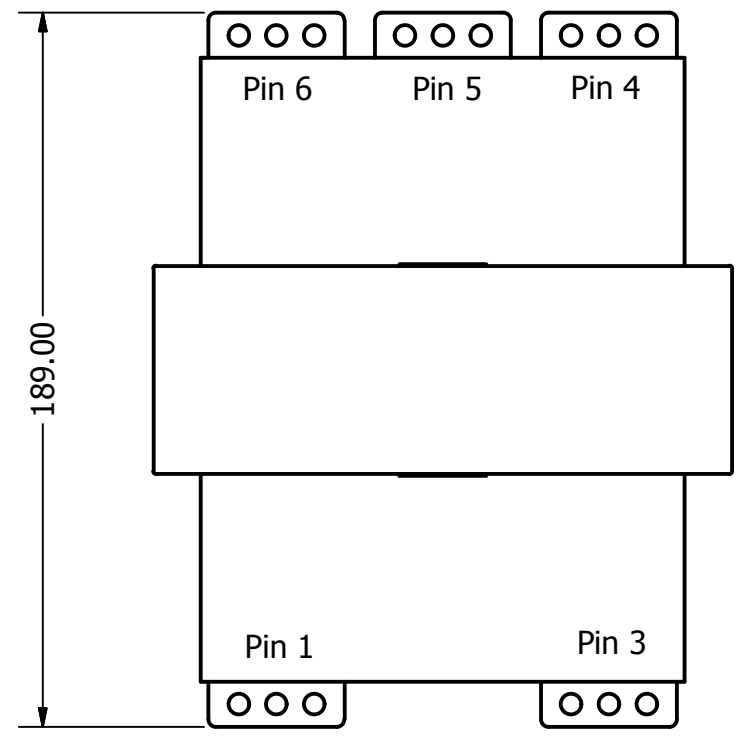
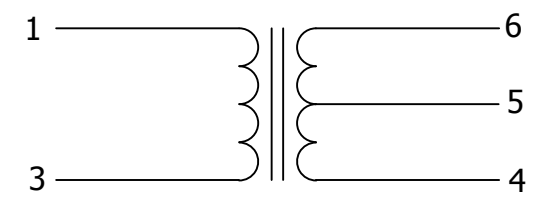


Item	Parameter	Details
1	Topology	Flyback, Forward, Push-pull, Half-Bridge, Full Bridge, Resonant
2	Power	up to 25kW
3	Frequency	20kHz to 3MHz
4	Winding Voltage	1000V max
5	Winding Current	1200A
6	Turns Ratio	Custom
7	Isolation	up to 6kVrms
8	Ambient Temp	-40C to +85C
9	Core Details	EE153



All dimensions are in mm.

DRAWN		Cramer Magnetics		
CHECKED				
QA		TITLE		
MFG		Planar Transformer Series		
APPROVED		SIZE	DWG NO	REV
		B	CPL 15355 Platform	
		SCALE	SHEET 1 OF 1	